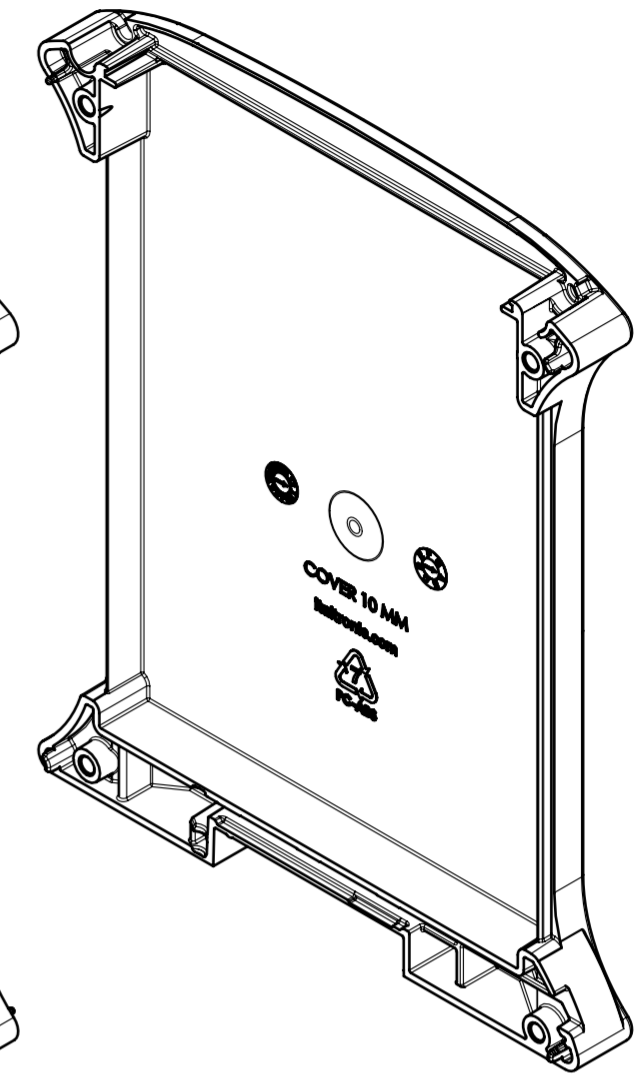
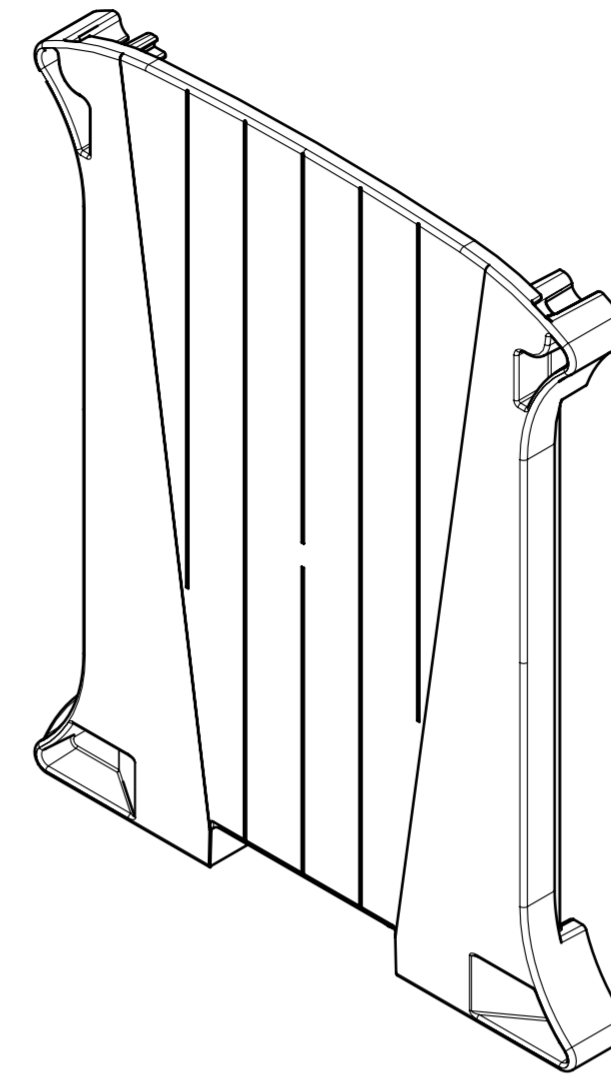
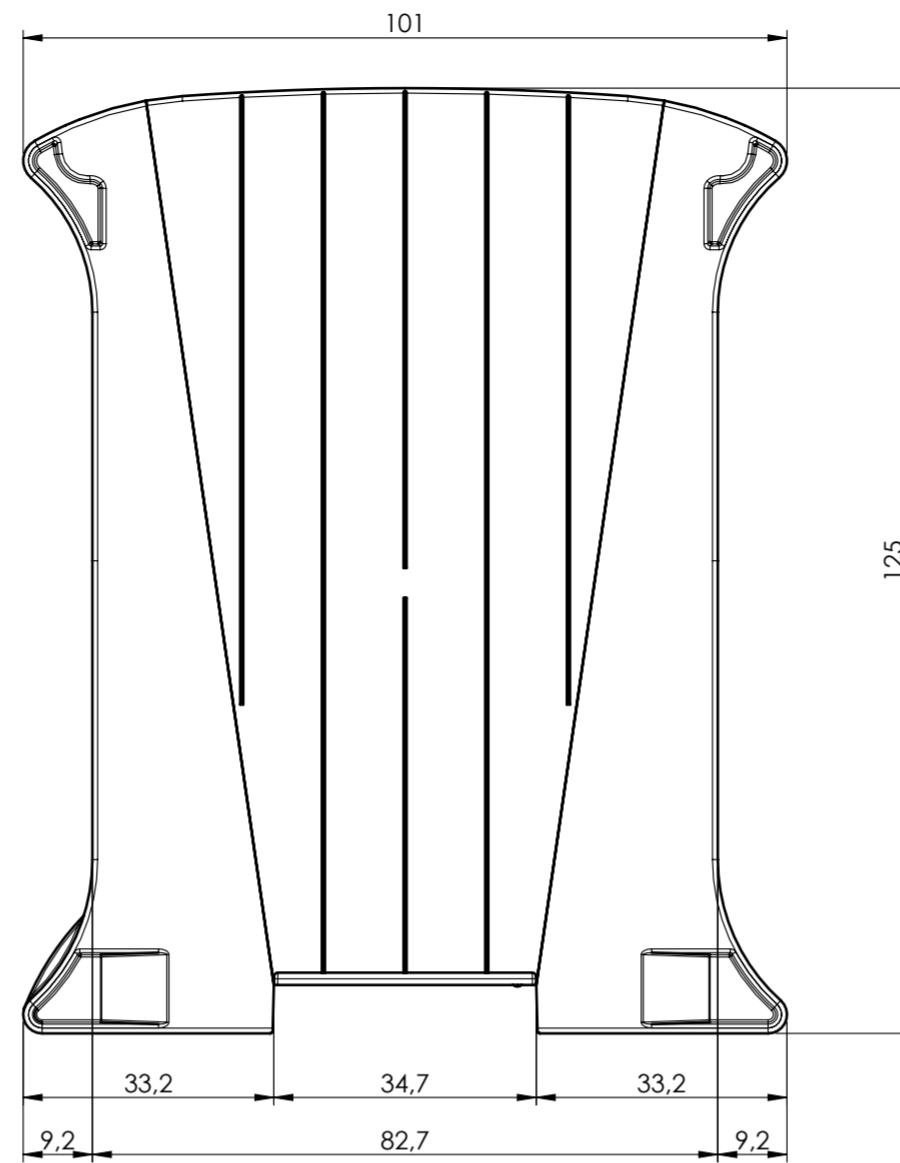
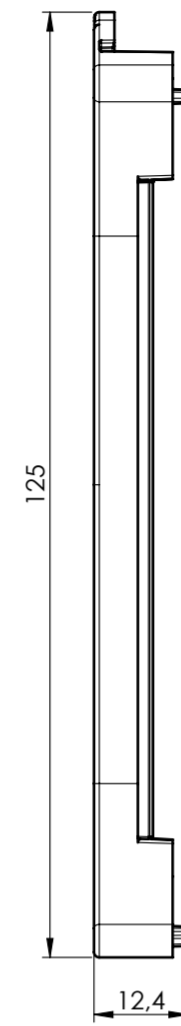
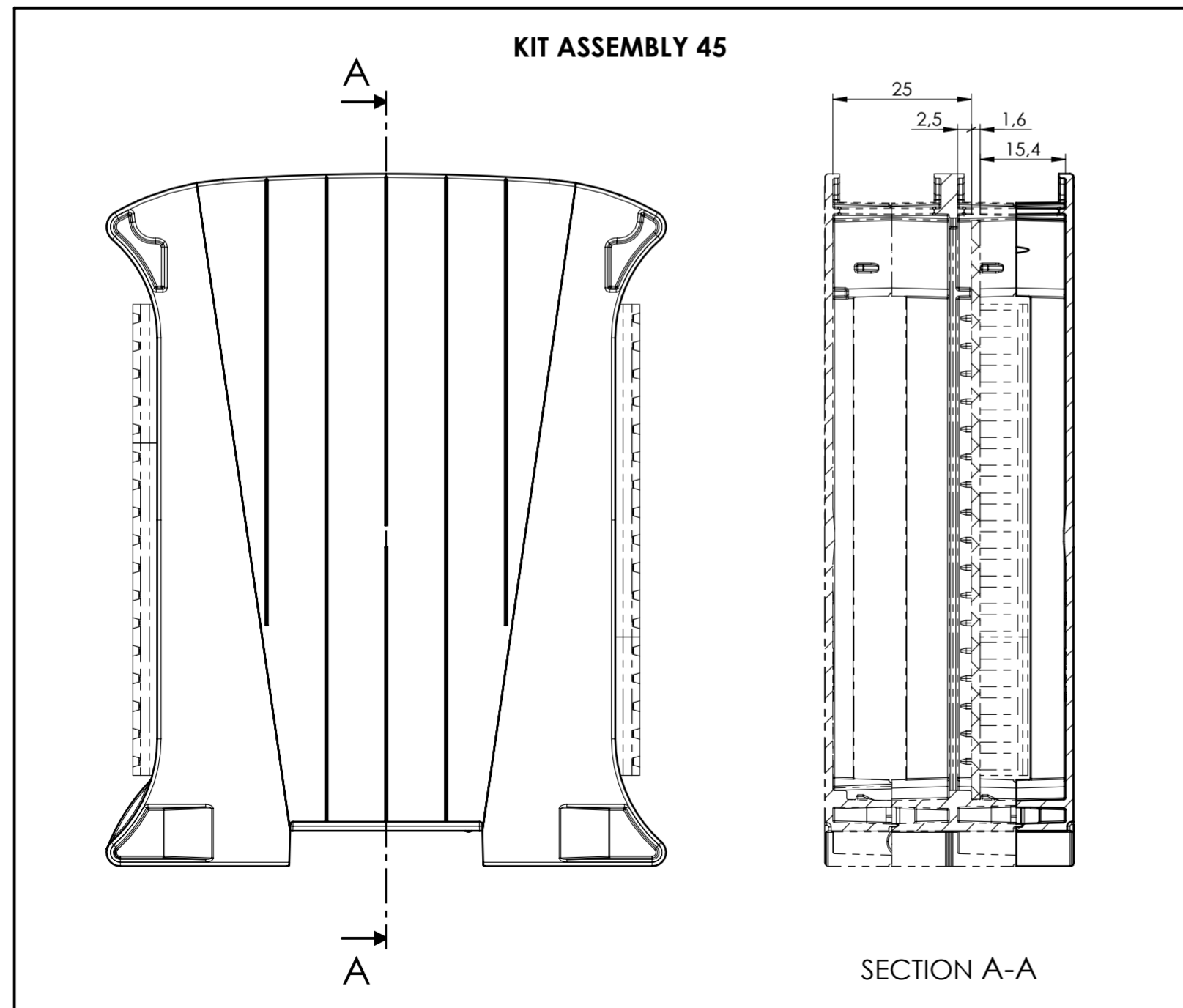


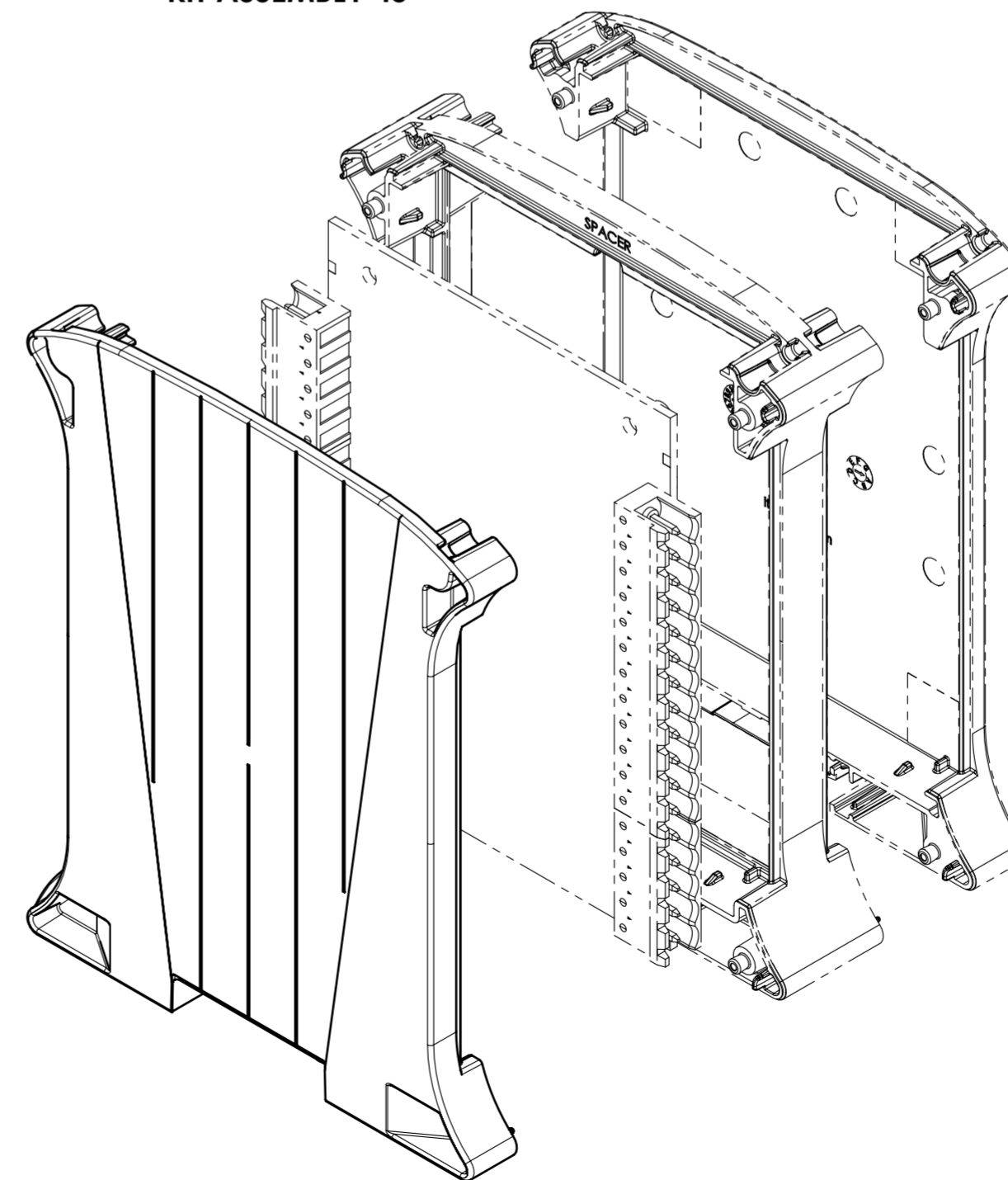
SECTION B-B



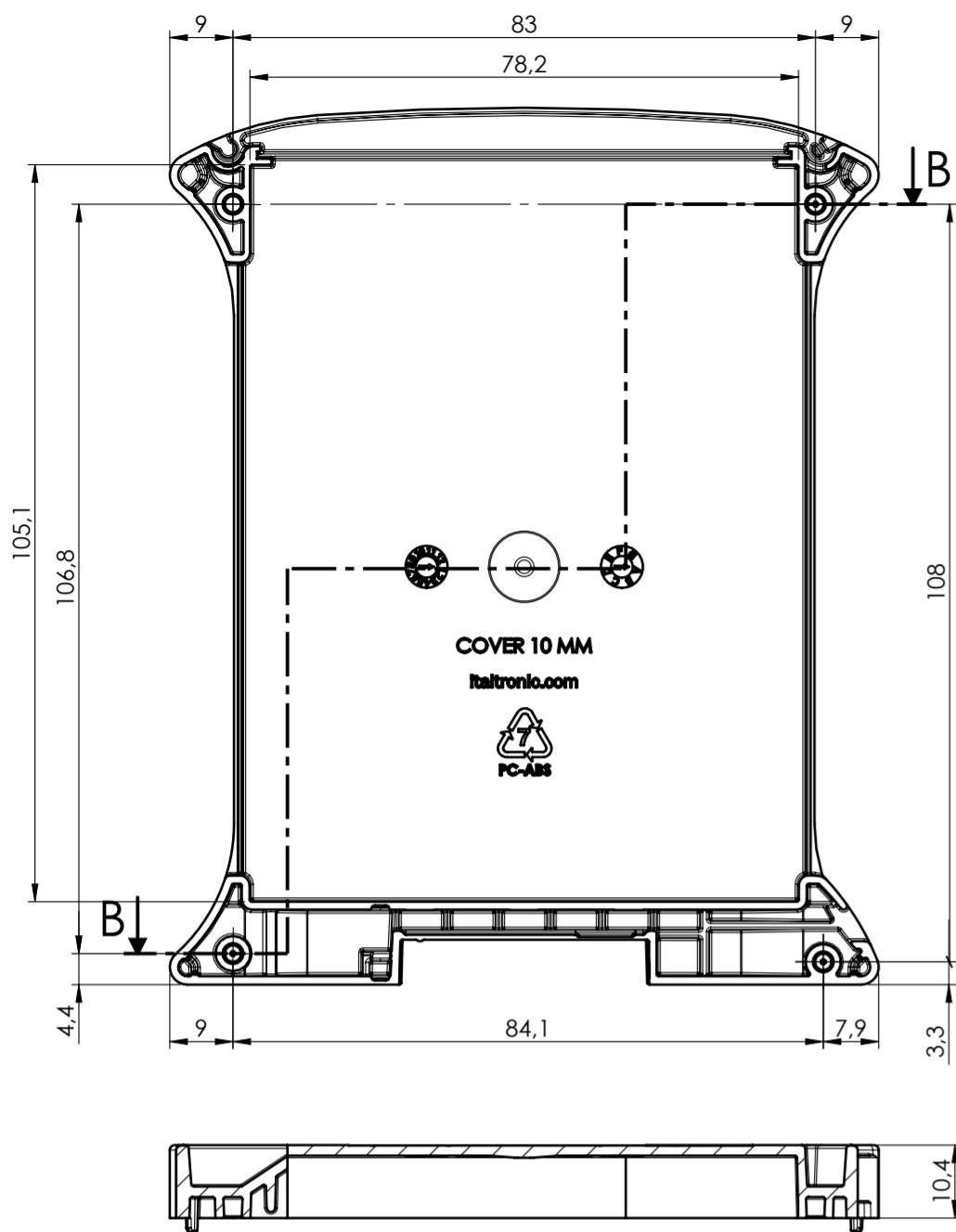
KIT ASSEMBLY 45



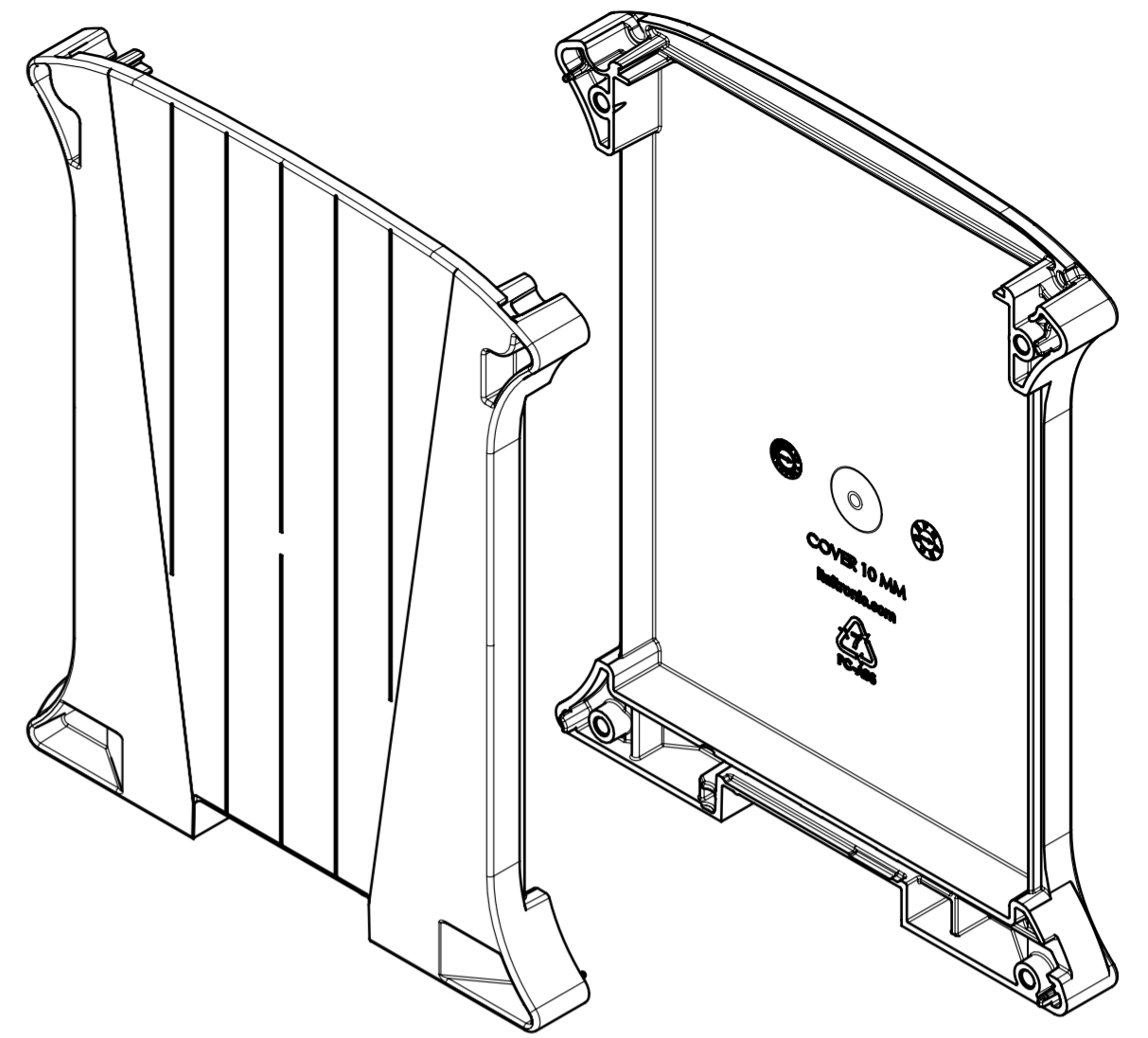
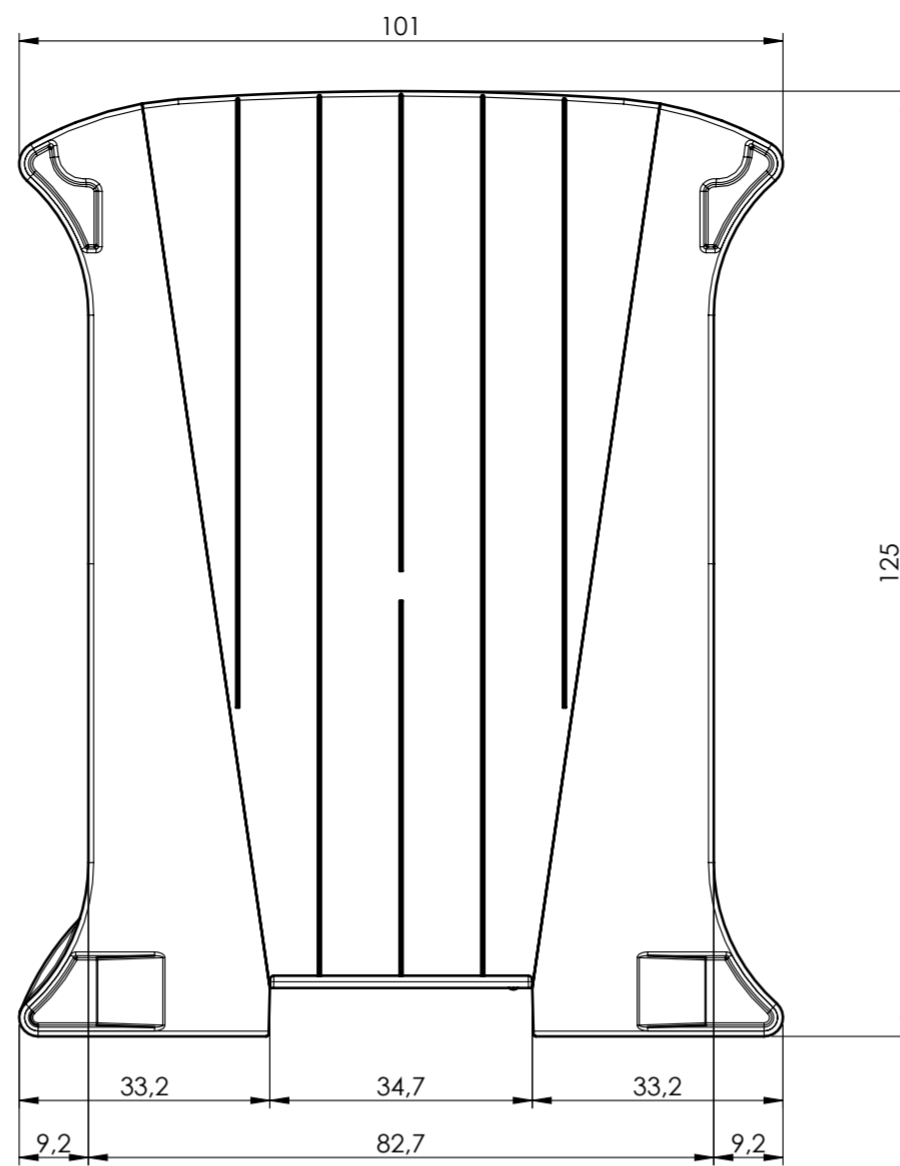
SECTION A-A



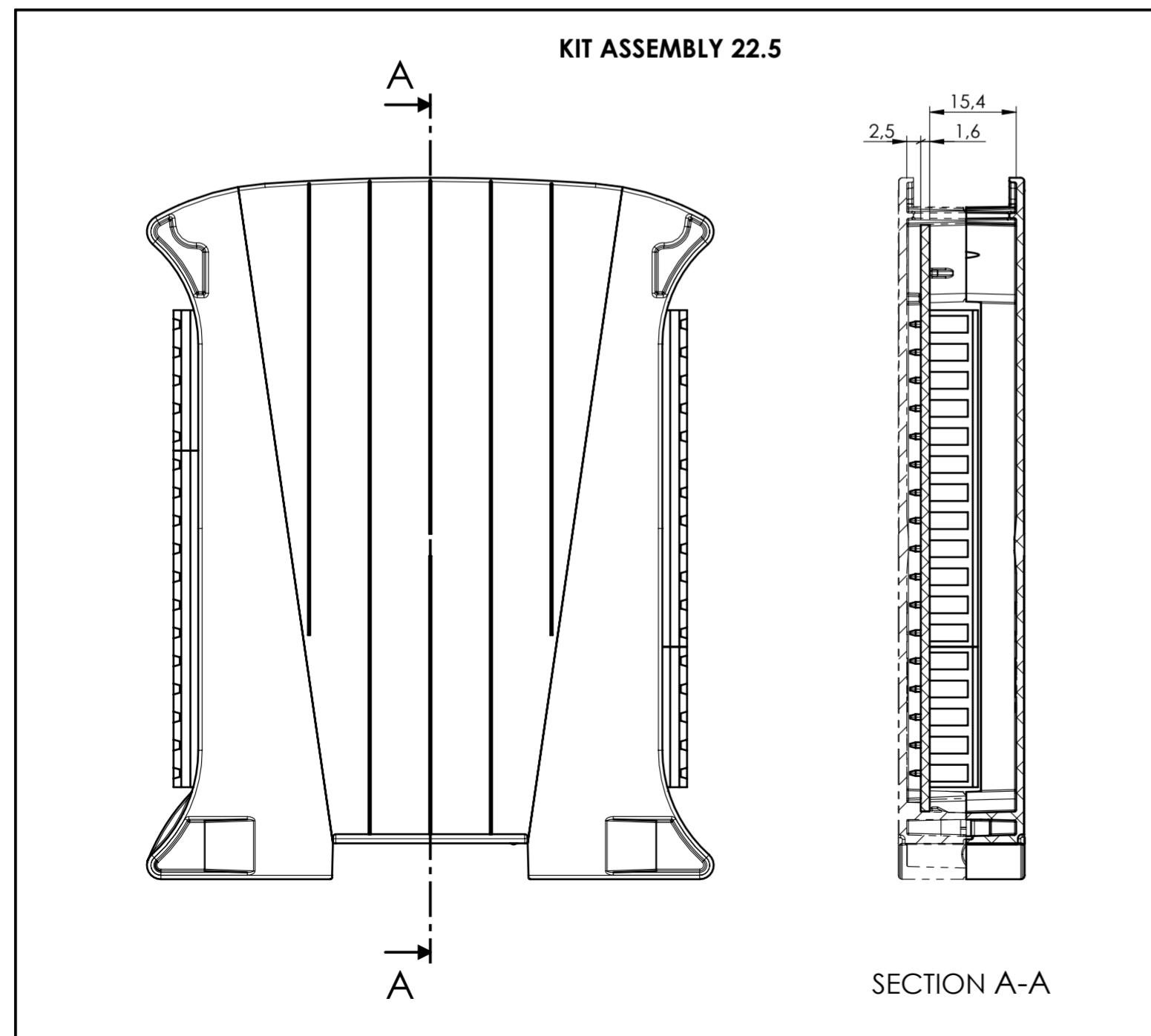
General Tolerance UNI EN 22768/1 Media (m)					Sheet:
from 0.5 to 3 ± 0.1	from 3 to 6 ± 0.1	from 6 to 30 ± 0.2	from 30 to 120 ± 0.3	from 120 to 400 ± 0.5	1
Scale: 1:1	Drawn: R.N.	Checked: R.N.	Date: 07/06/2024	Material: PC/ABS	Process: INJECTION
Derived from:				Weight: 25.65 gr	Cod. Mold: ST.10031023
Dimension in mm		<small>The present drawing cannot be reproduced or communicated to third parties, even partially, without the authorization of Italtronic. Italtronic reserves the right to protect its copyrights according to the law.</small>		Description: COPERCHIO RAILBOX XT VERTICAL 10 MM COVER RAILBOX XT VERTICAL 10 MM Drawing nr.: 2_110_00127	
italtronic enclosures for electronics italtronic.com					Rev.: 00 A2



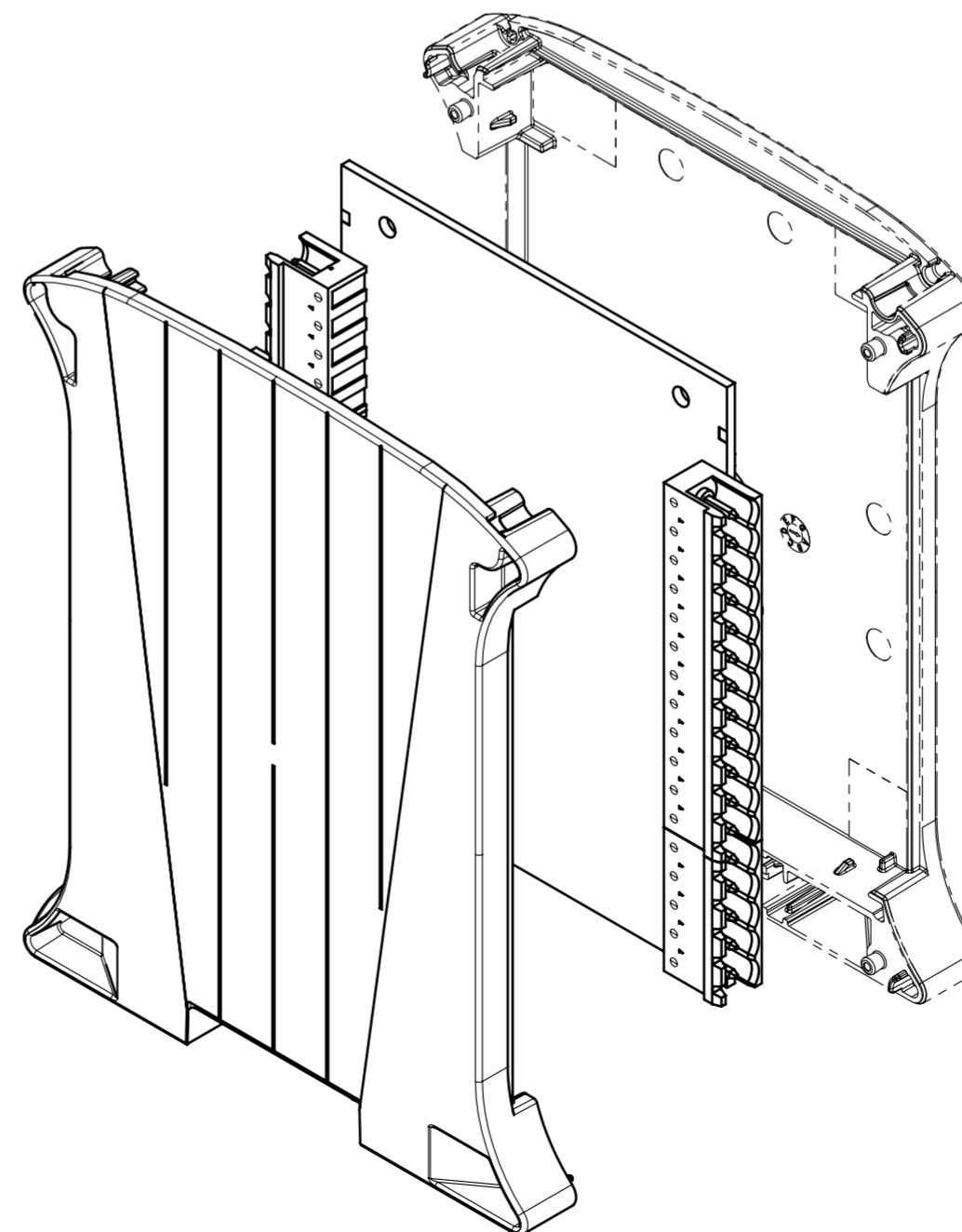
SECTION B-B



KIT ASSEMBLY 22.5



SECTION A-A



General Tolerance UNI EN 22768/1 Media (m)					Sheet:
from 0.5 to 3 ± 0.1	from 3 to 6 ± 0.1	from 6 to 30 ± 0.2	from 30 to 120 ± 0.3	from 120 to 400 ± 0.5	2
Scale:	Drawn:	Checked:	Date:	Material:	Process:
1:1	R.N.	R.N.	07/06/2024	PC/ABS	INJECTION
<small>The present drawing cannot be reproduced or communicated to third parties, even partially, without the authorization of Italtronic. Italtronic reserves the right to protect its own rights according to the law.</small>				Weight:	Cod. Mold:
Dimension in mm				25.65 gr	ST.10031023
italtronic enclosures for electronics italtronic.com					Description: COPERCHIO RAILBOX XT VERTICAL 10 MM COVER RAILBOX XT VERTICAL 10 MM Drawing nr.: 2_110_00127
					Rev.: 00 A2