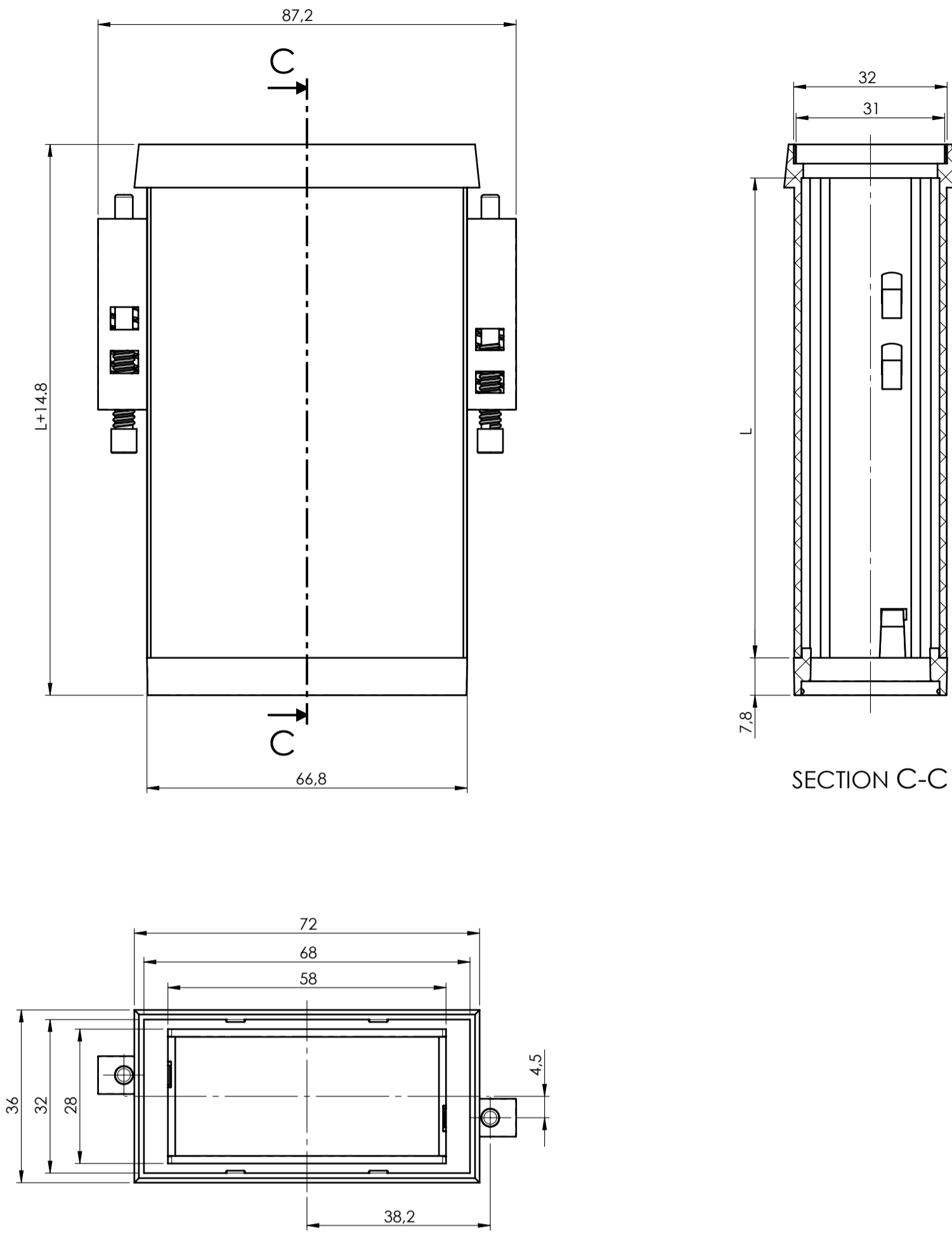
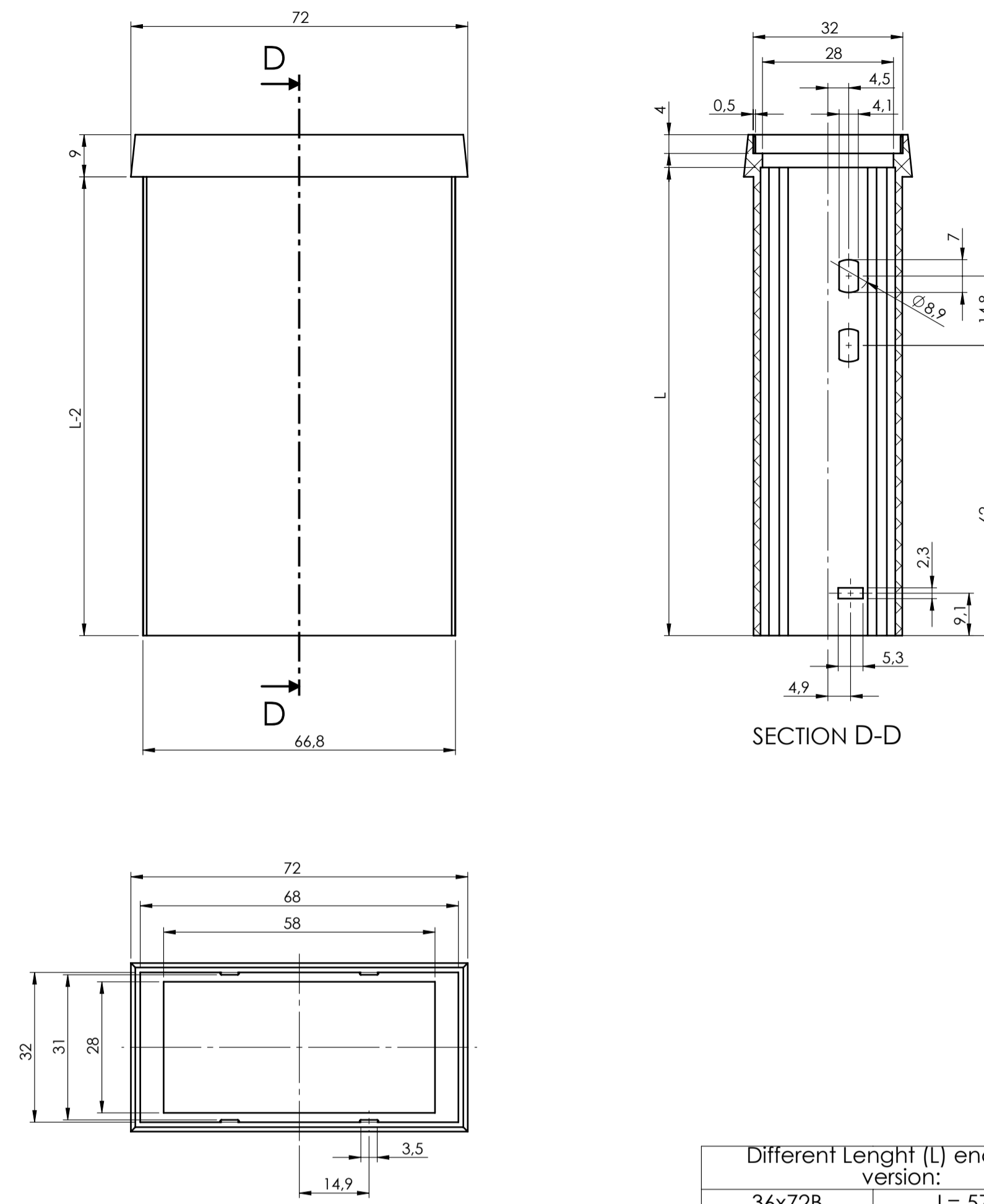


GENERAL ASSEMBLY



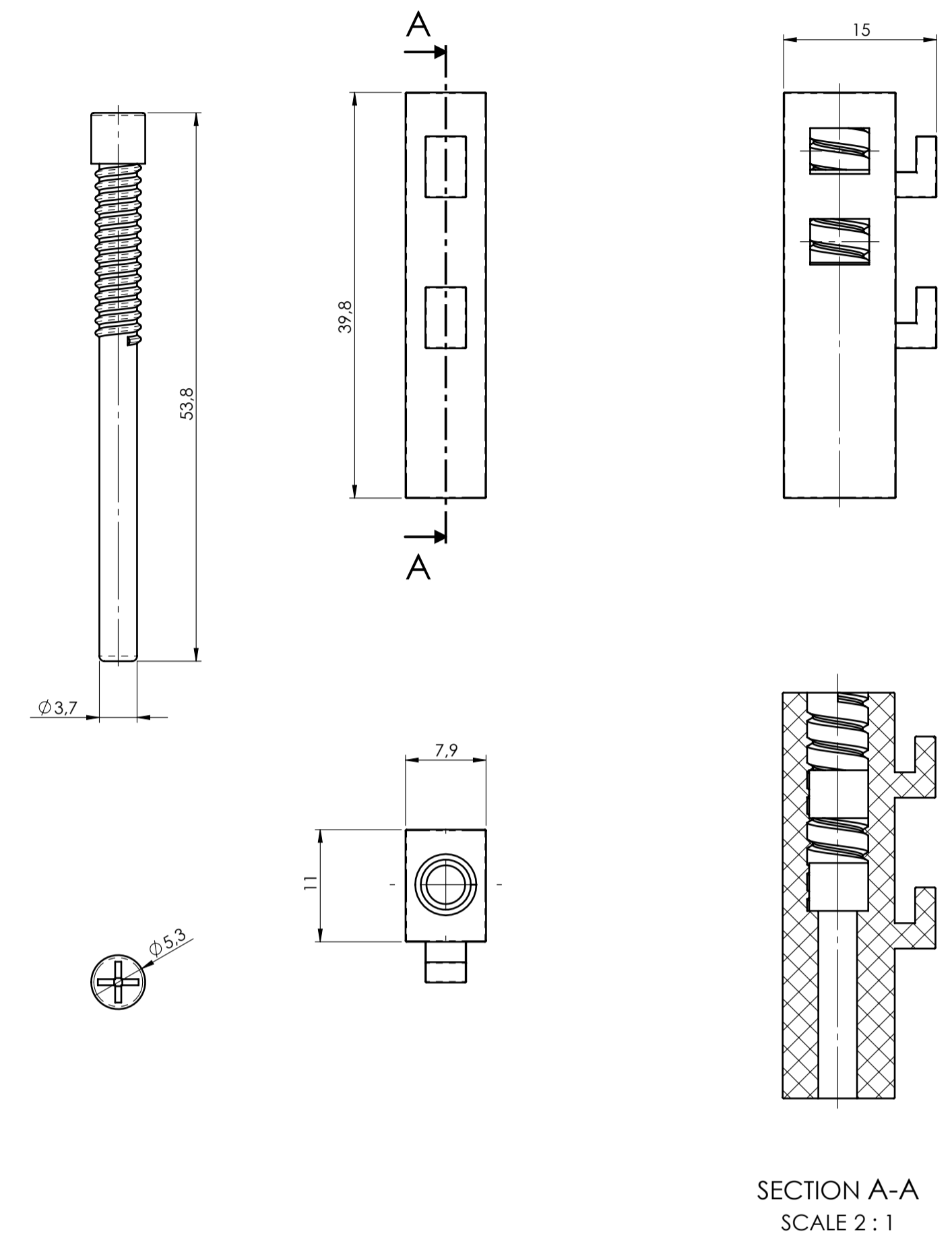
BODY ENCLOSURE



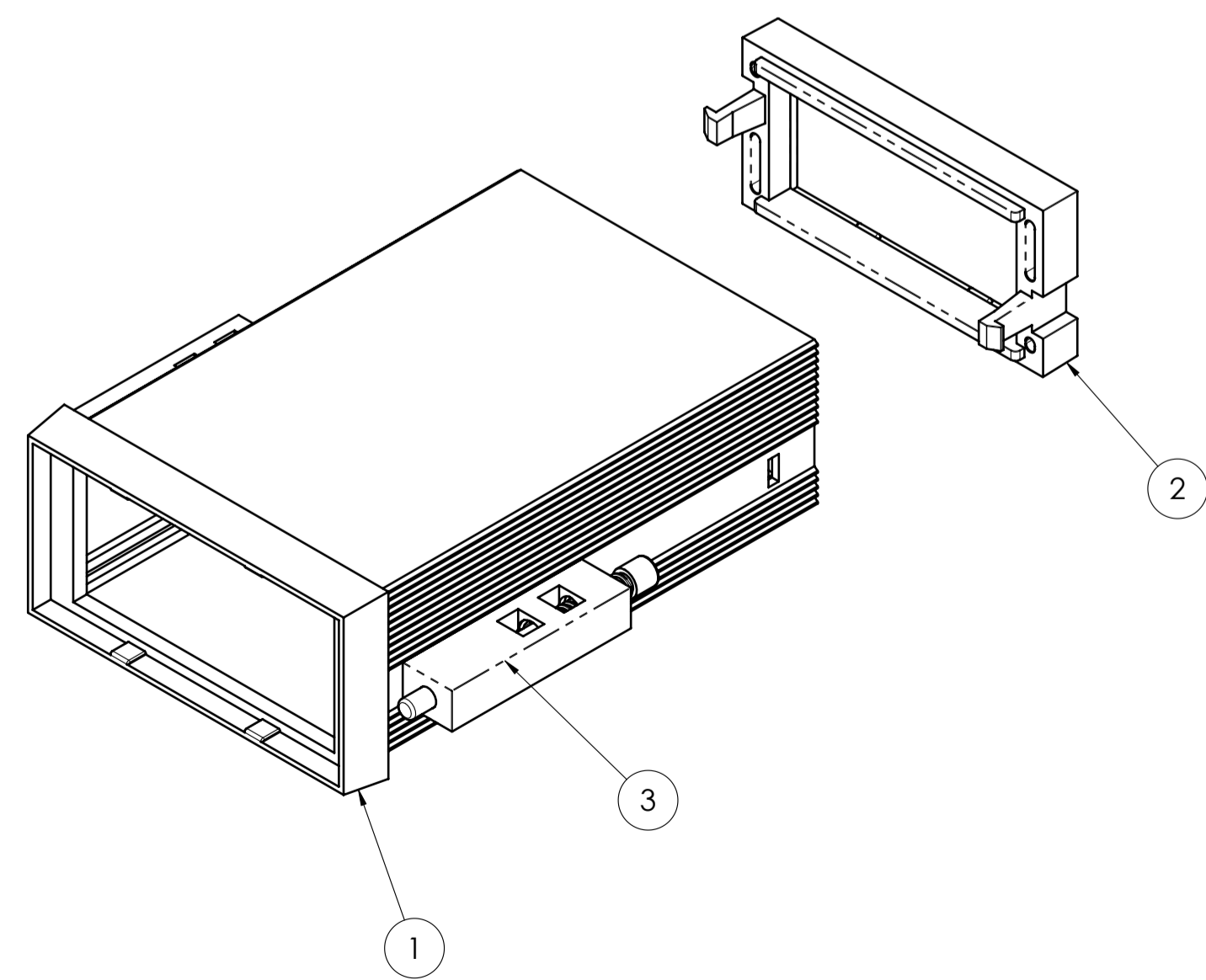
Different Length (L) enclosure version:

36x72B	L= 57 mm
36x72B	L= 75 mm
36x72B	L= 100 mm
36x72B	L= XXX mm MAX 80

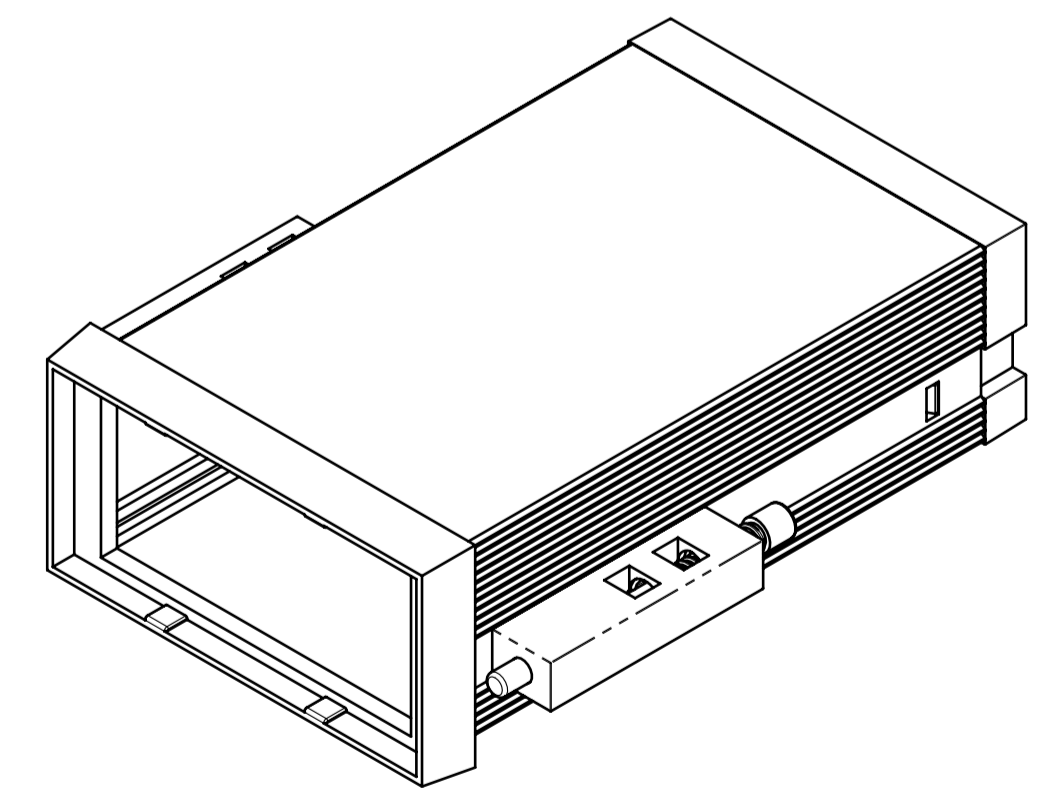
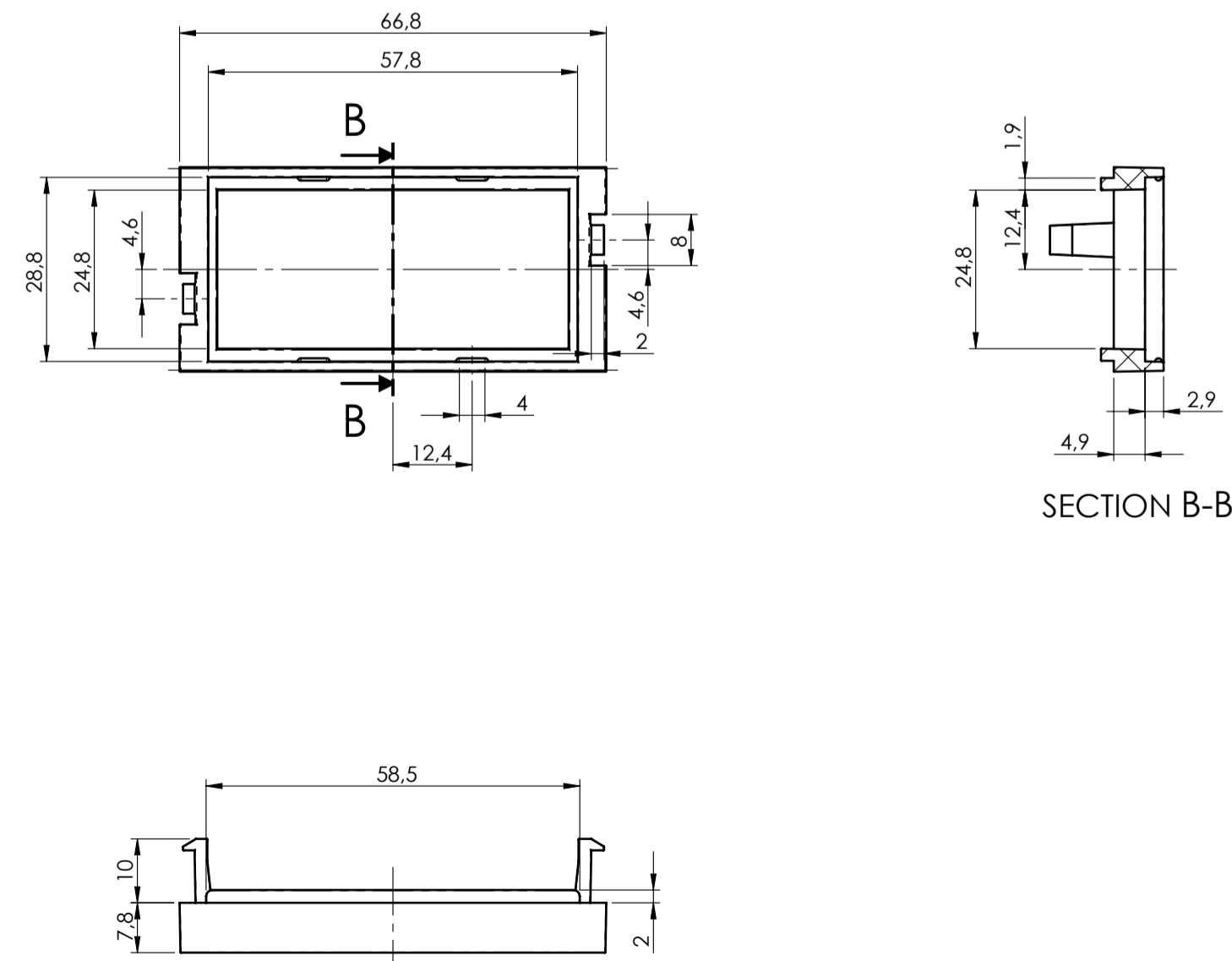
HOOK SCALE 2:1



GENERAL ASSEMBLY EXPLODED VIEW



REAR COVER



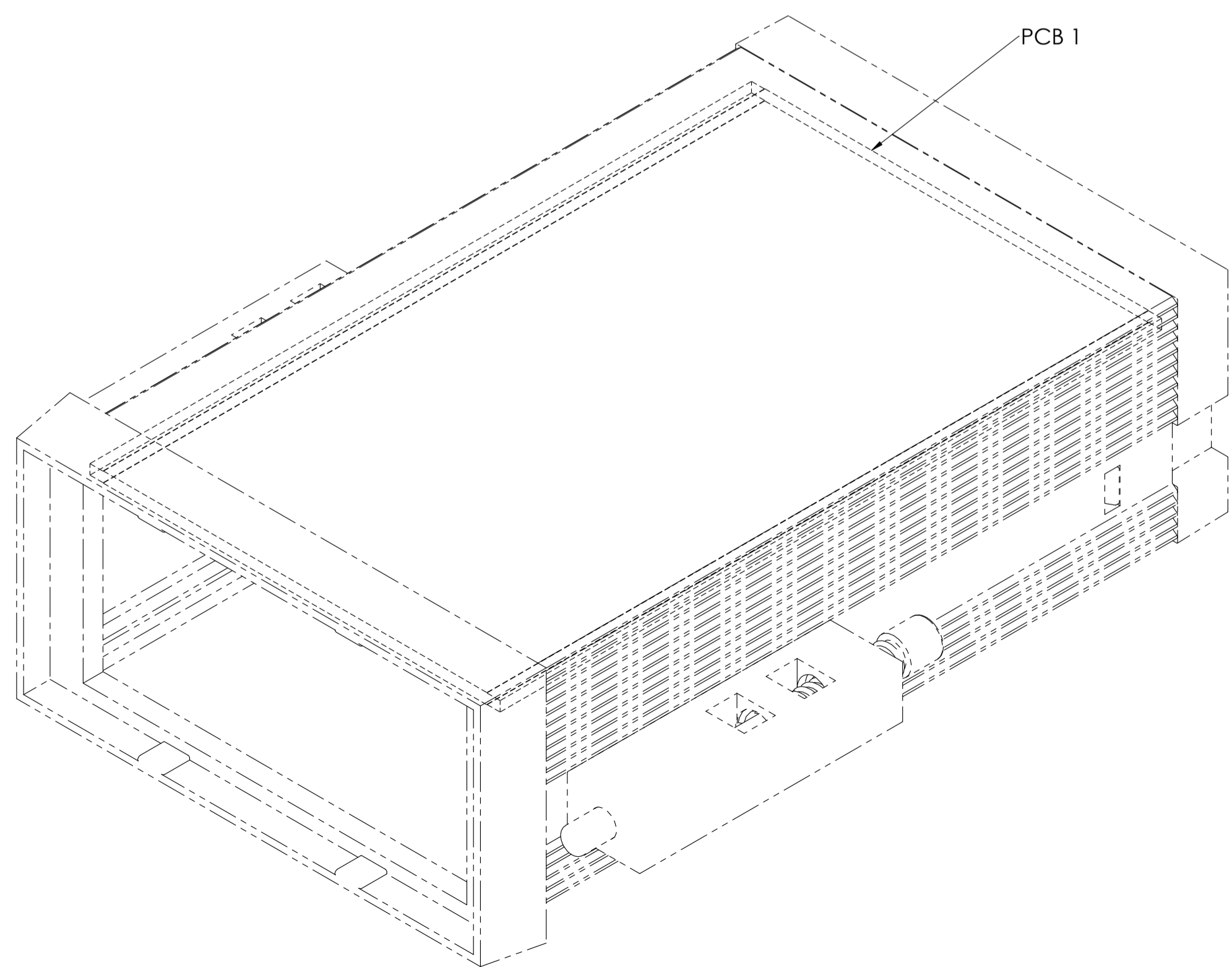
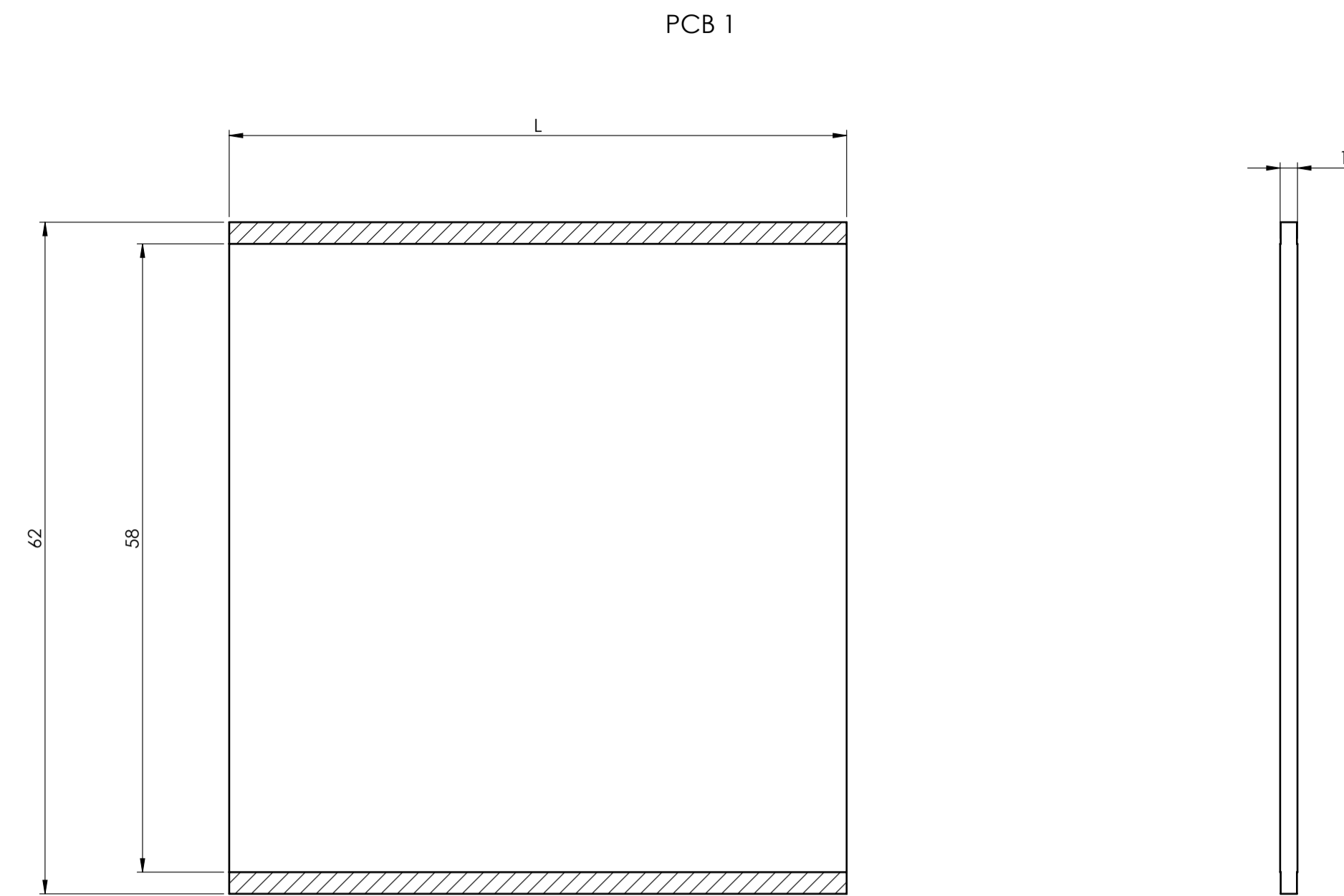
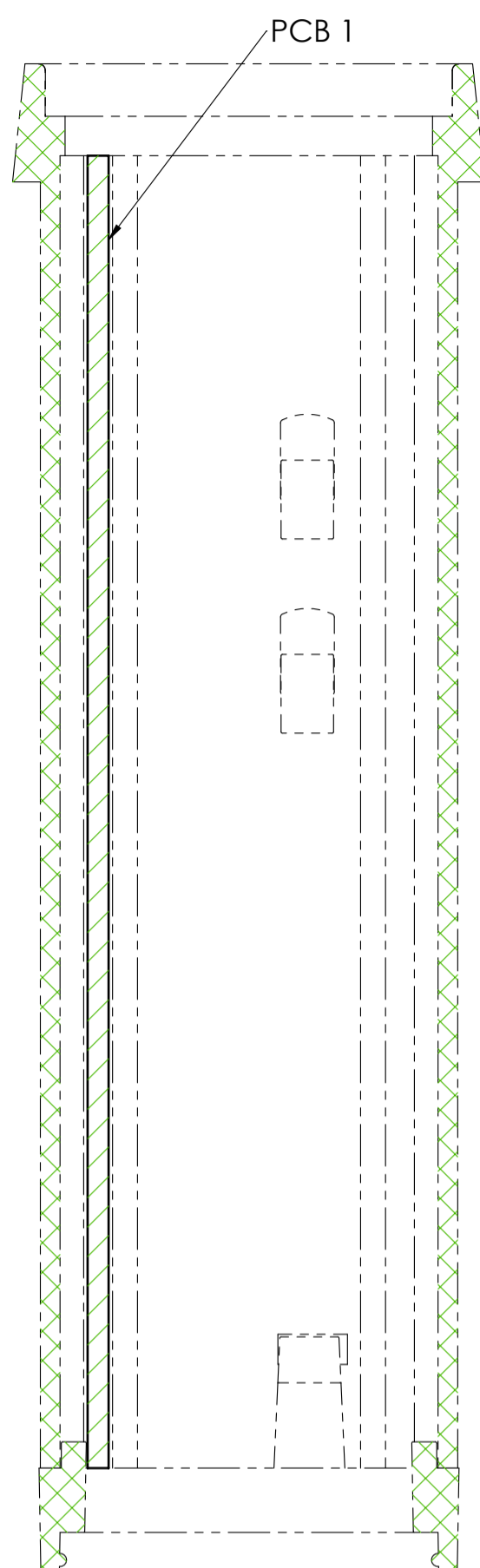
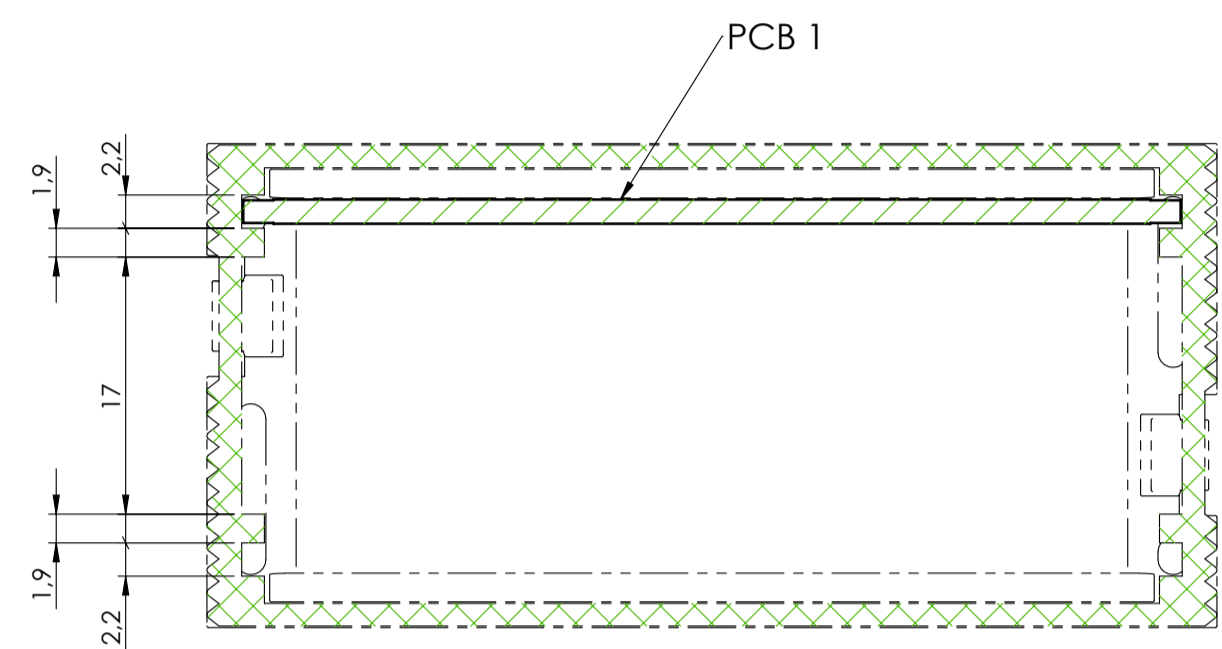
RIF.	Q.TY	DRAWING	DESCRIPTION
1	1	2_190_00048	BODY INCABOX ONE 36X72
2	1	2_190_00047	REAR FRAME 36X72
3	2	3_190_00037	INCABOX PLASTIC HOOKS

General Tolerances (UNE EN 22768/1 Medio [M])

from 0.5 to 3	from 3 to 6	from 6 to 30	from 30 to 120	from 120 to 400	Sheet
±0.1	±0.1	±0.2	±0.3	±0.5	1

Scale: 1:1  
 Dimension in mm  
 Material: R.N.  
 Date: 19/12/2025  
 Weight: 171.53 gr  
 Cod. Mod: --

italtronic  
 enclosures for electronics  
 itatronic.com  
 3\_190\_00035  
 Rev: --  
 A1



Different Length (L) enclosure version:	
36x72B	L= 57 mm
36x72B	L= 75 mm
36x72B	L= 100 mm
36x72B	L= XXX mm MAX 80

NO COMPONENTS AREA

General Tolerance IRI EN 22768/1 Media (m)					Sheet:
from 0.5 to 3 ± 0.1	from 3 to 6 ± 0.1	from 6 to 30 ± 0.2	from 30 to 120 ± 0.3	from 120 to 400 ± 0.5	PCB
Scale: 2:1	IW: --	Drawn: R.N.	Checked: R.N.	Date: 19/12/2025	Process: --
Dimension in mm		Replaces the: I-04568	Derived from:	Weight: 171.53 gr	Cod. Mold: --
<b>Italtironic</b> enclosures for electronics italtronic.com					Description: KIT CONTENITORE INCABOX ONE 36X72B KIT ENCLOSURE INCABOX ONE 36X72B Drawing n°: <b>3_190_00035</b>
					Rev.: -- A1