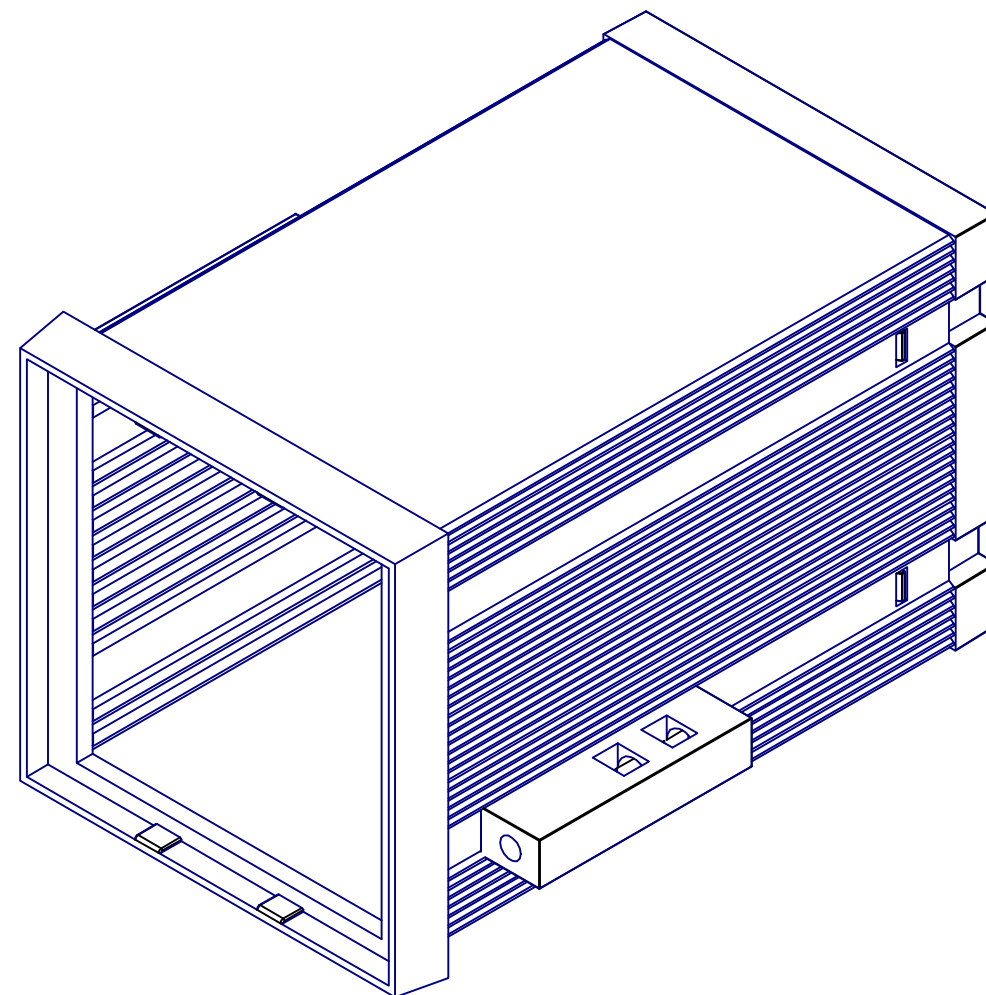
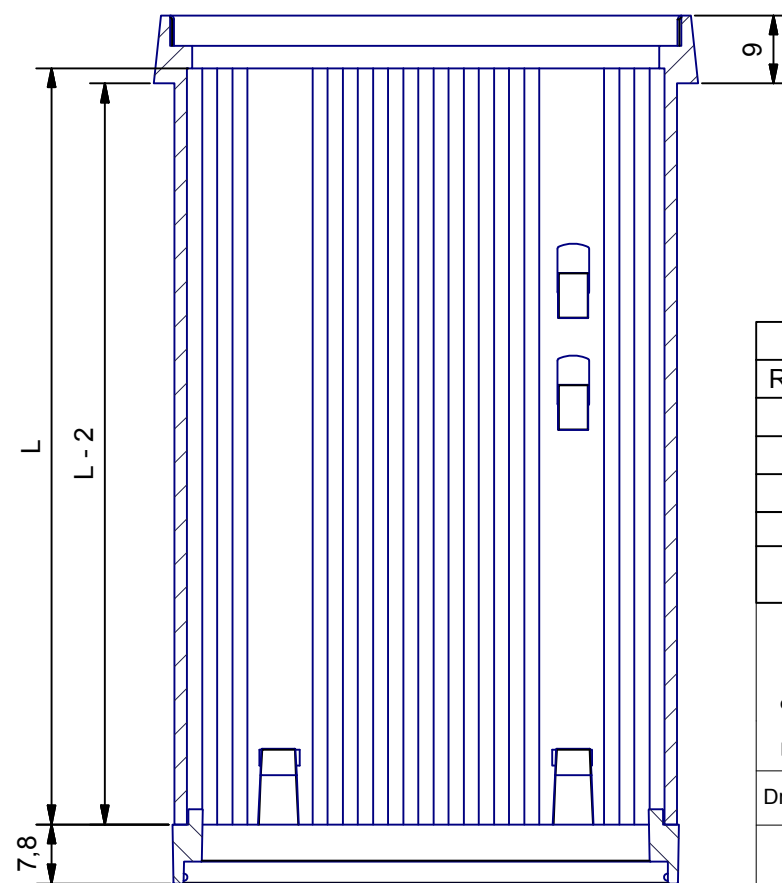
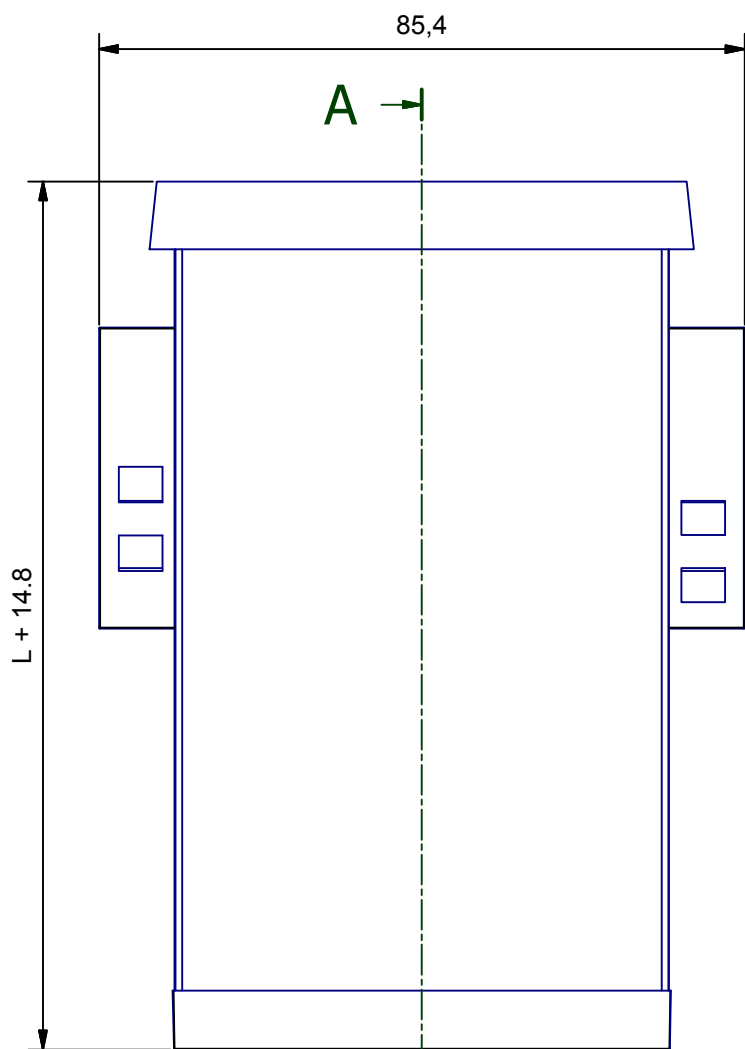


VERSIONS	L
72X72 L57	57 mm
72X72 L75	75 mm
72X72 L100	100 mm
72X72 L124	124 mm Max
72X72 LXXX	136 mm Max
72X72 L156	156 mm



A-A (1:1)



COMPONENTS LIST				
RIF.	Q.TY	DESCRIPTION	CODE	
1	1	Corpo cont. 72x72 B - Body enclosure 72x72 B	I-00214	
2	1	Cornice posteriore 36x72 - Rear frame 36x72	I-01220	
3	2	Agganci in plastica INCABOX - Plastic fixing INCABOX	I-00769	
Da 0,5 a 3		Oltre 3 fino a 6	Oltre 6 fino a 30	Oltre 30 fino a 120
± 0,1		± 0,1	± 0,2	± 0,3
				± 0,5

RESERVED PROPERTY

The present drawing cannot be reproduced or communicated to 3d parties, even partially, without the authorization of ITALTRONIC Srl. Italtronic reserves to protect its own rights according to the law.



Dimension in mm

SHEET NR.

1 / 1

DRAWING BY



GENERAL TOLERANCE

UNI EN 22768/1
Media (m)

Date: 18/04/2013

Replace nr.

Drawn: Rigato N.

Checked: Dalla Montà D.

Scale:

Revision description

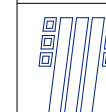
5 4 3 2 1



Denomination:

Contenitore completo INCABOX 72X72 B

Complete enclosure INCABOX 72x72 B



ITALTRONIC S.R.L.
VIA AUSTRIA 25/D 35127
PADOVA - ITALY
www.italtronic.com

Drawing nr.

I-04573-00