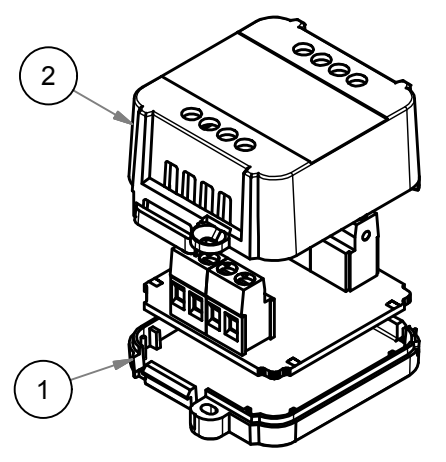
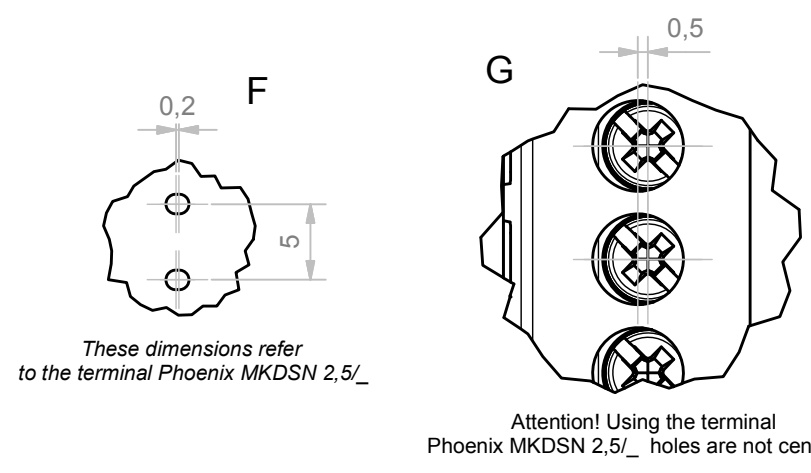
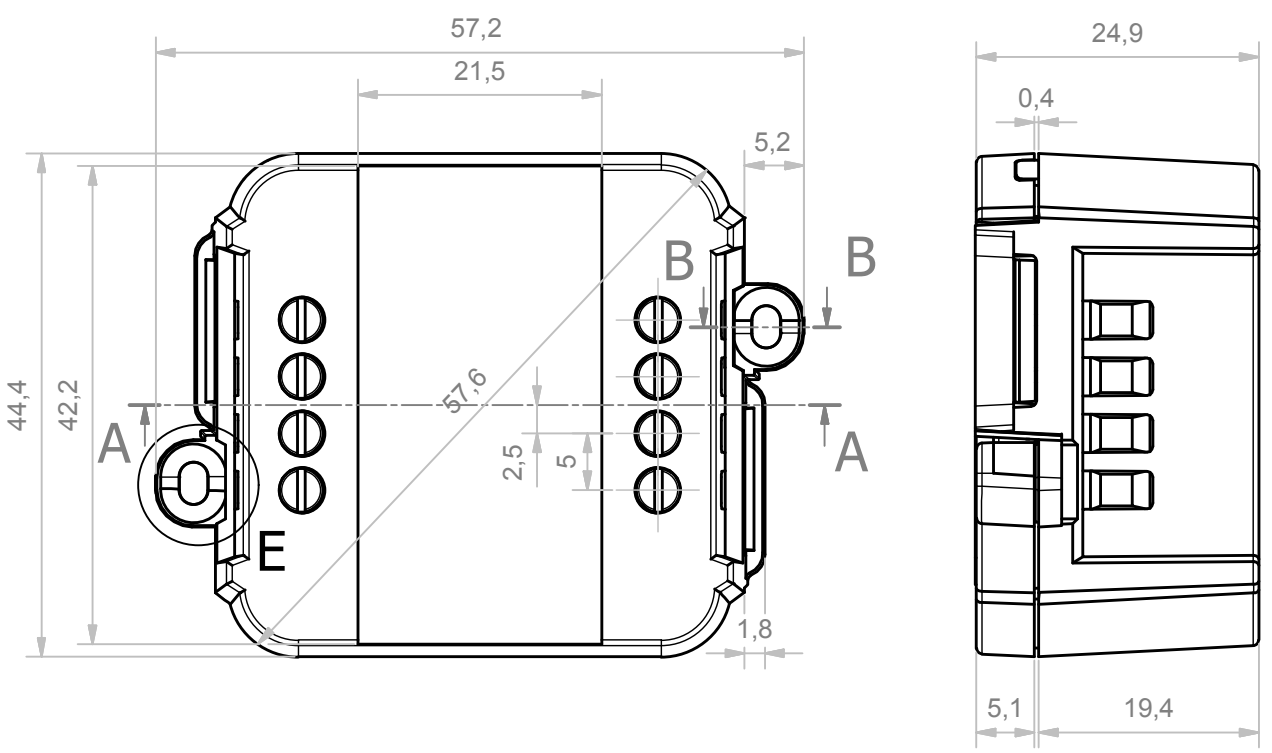
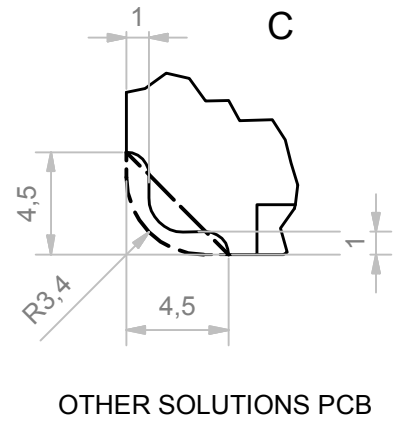
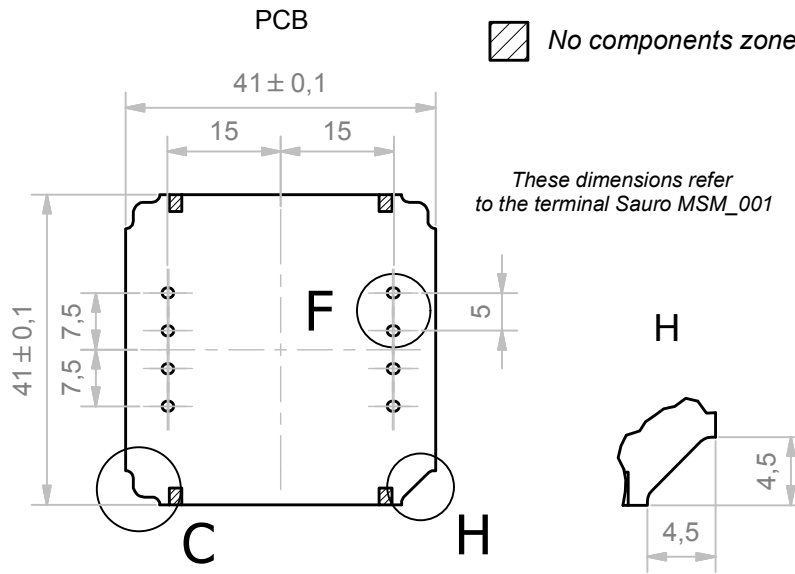
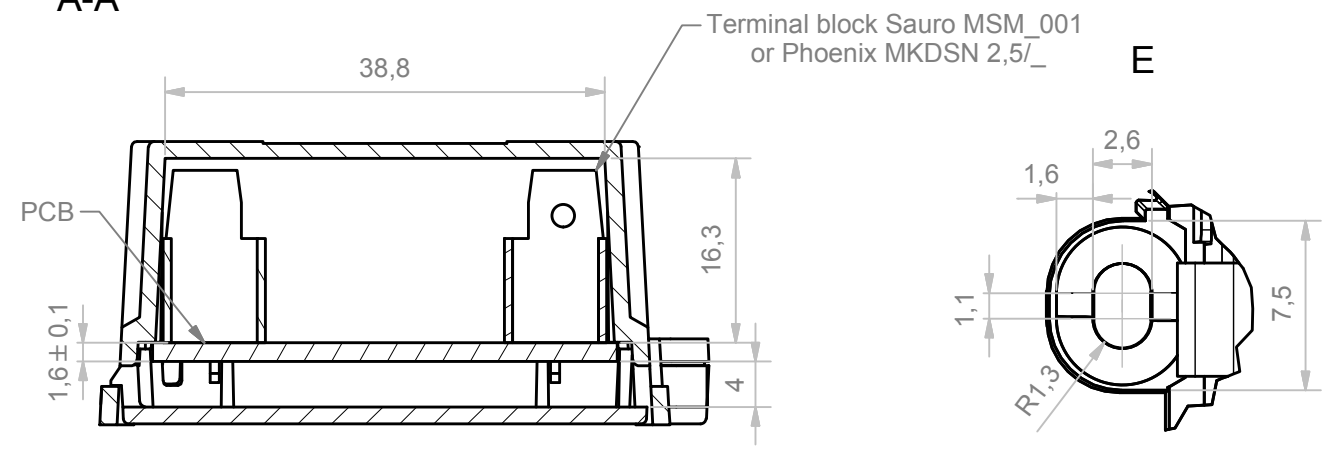


6 | 5 | 4 | 3 | 2 | 1

A-A

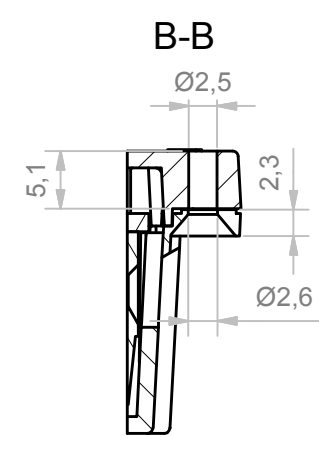


Attenzione! I fori dei circuiti per i morsetti sono a livello illustrativo.
 Attention! The holes of the circuits for the terminals are at the level leaflet.

COMPONENTS LIST				
RIF.	Q.TY	DESCRIPTION	CODE	
1	1	BASE CBOX EURO INT NEW VERSION	C-05899	
2	1	COVER CBOX EURO INT H25 NEW VERSION	C-05900	
		Da 0,5 a 3	Oltre 3 fino a 6	Oltre 6 fino a 30
		± 0,1	± 0,1	± 0,2
			Oltre 30 fino a 120	Oltre 120
			± 0,3	± 0,5

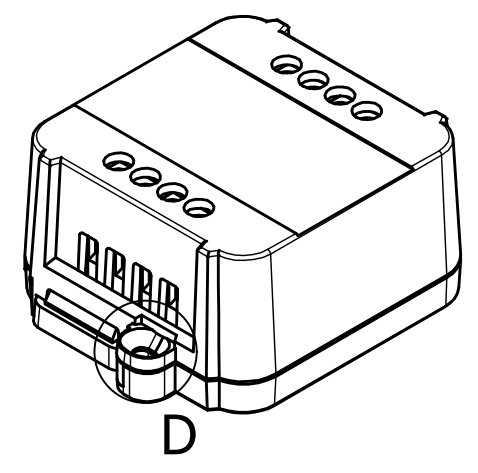
RESERVED PROPERTY The present drawing cannot be reproduced or communicated to 3d parties, even partially, without the authorization of ITALTRONIC Srl. Italtronic reserves to protect its own rights according to the law.	Dimension in mm	SHEET NR.	DRAWING BY	GENERAL TOLERANCE
		1 / 1	GAD	UNI EN 22768/1 Media (m)
Date:	12/03/2015	Replace nr.		
Drawn:	Rigato N.	Checked:	Dalla Montà D.	Scale:

5	4	3	2	1
Revision description				



Self-tapping screws countersunk head
 d2.9x6.5 mm

Screws for pressed wood or chipboard
 d2.5 mm for dowel fixing to wall



Denomination:
CBOX EURO INT H25 NEW VERSION

ITALTRONIC S.R.L.
 VIA AUSTRIA 25/D 35127
 PADOVA - ITALY
www.italtronic.com

Drawing nr.
C-05897-01

6 | 5 | 4 | 3 | 2 | 1

Aggiornato viste. 28/05/15 Rigato N.