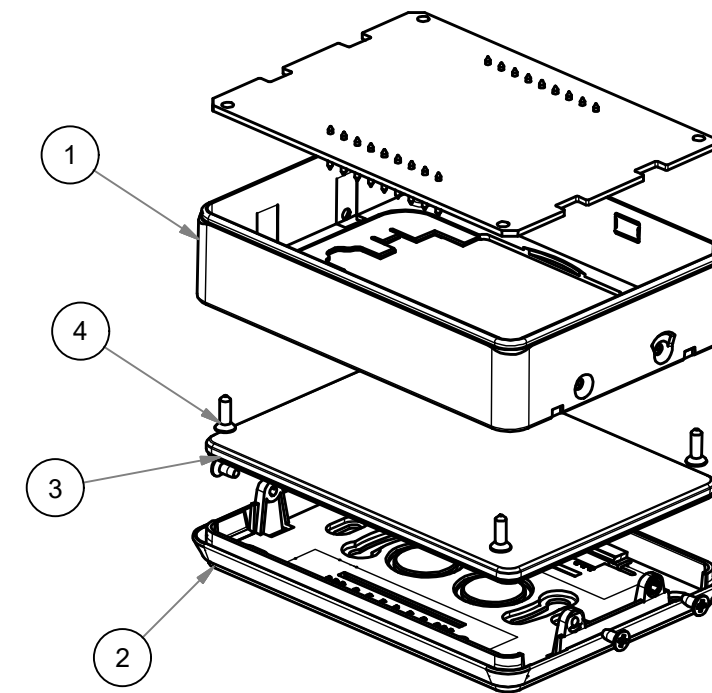
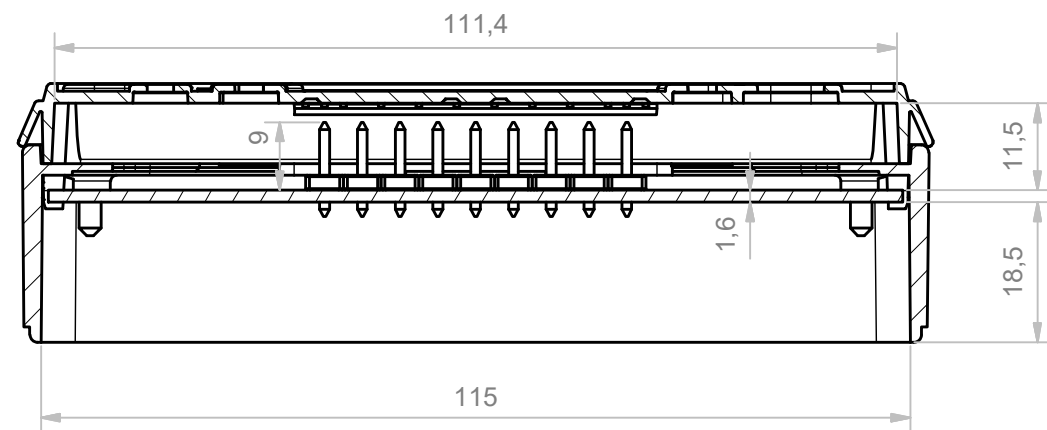


The PCB and terminals are not included in the kit

A-A (1:1)



RIF.	Q.TY	DESCRIPTION	CODE
1	1	BASE 80X120 H25 FOR TERMINAL CSF	C-03916
2	1	REAR PLATE FOR TERMINAL CSF	C-03838
3	4	SCREW D2,9X6,5	PM10012017
4	4	SCREW D2,9X9,5	PM10012018

RESERVED PROPERTY: The present drawing cannot be reproduced or communicated to 3d parties, even partially, without the authorization of ITALTRONIC Srl. Italtronic reserves to protect its own rights according to the law.

GENERAL TOLERANCE	UNI EN 22768/1 Media (m)	Drawn:	Checked:	Revision description
SHEET NR.	Dimension in mm	DRAWING BY	Rigato N.	Dalla Montà D.
1 / 1		 Manual modification are not allowed	Date: 04/03/2016	Scale: 1 : 1
Denomination:		Kit contenitore H25 CSF senza telaietto Kit enclosure H25 CSF without frame		Part number:
		ITALTRONIC S.R.L. VIA AUSTRIA 25/D 35127 PADOVA - ITALY www.italtronic.com		Drawing nr. C-06549-00