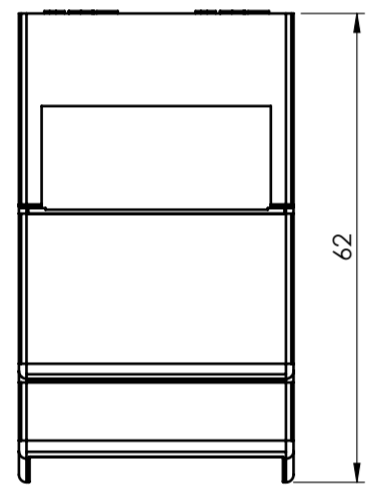
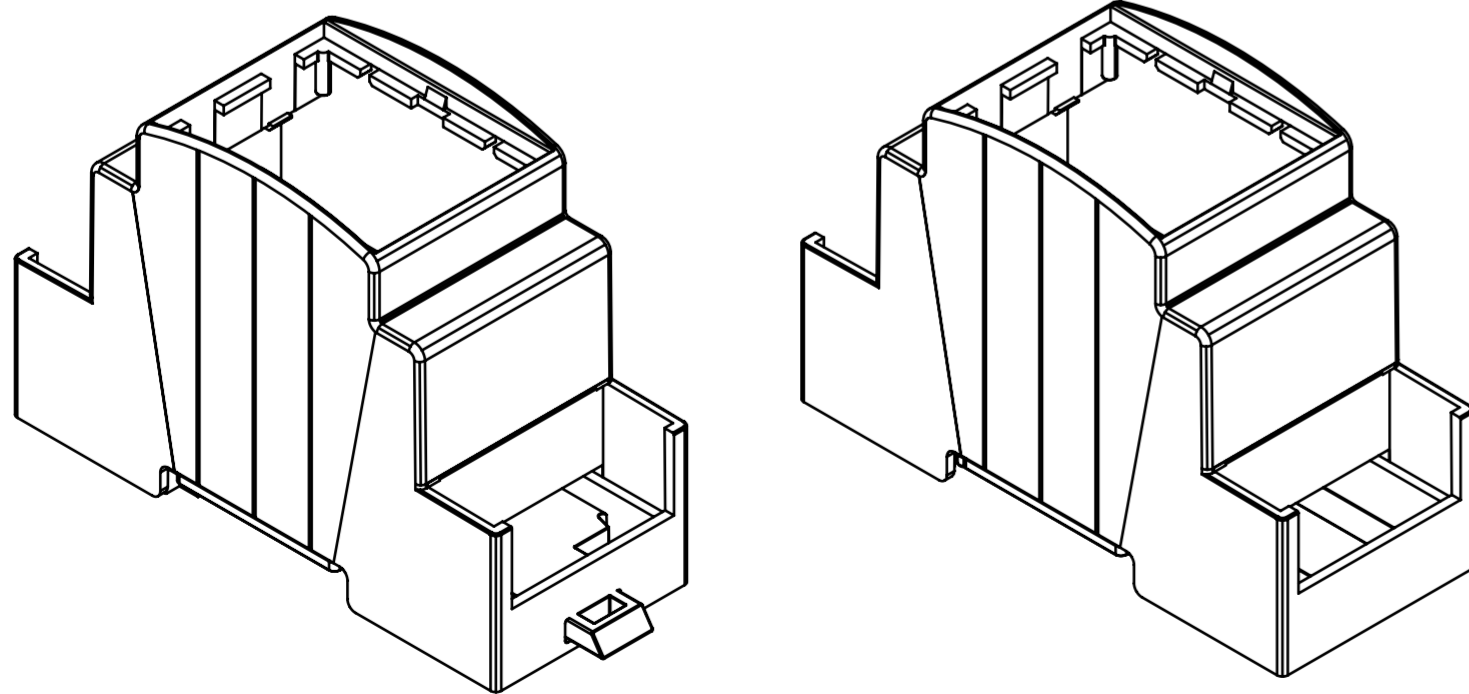
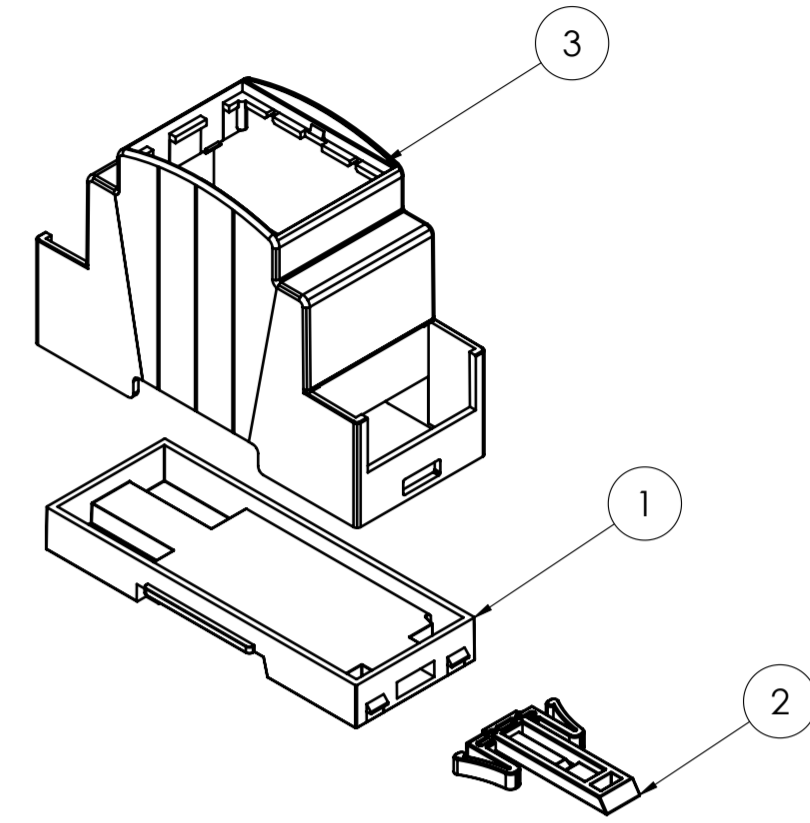
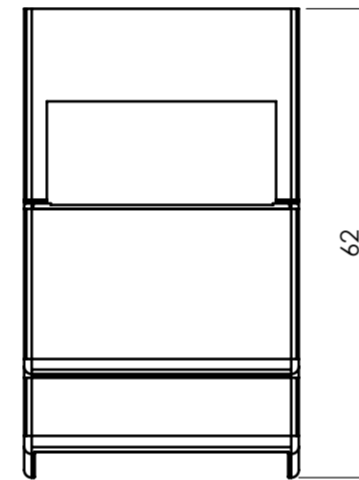
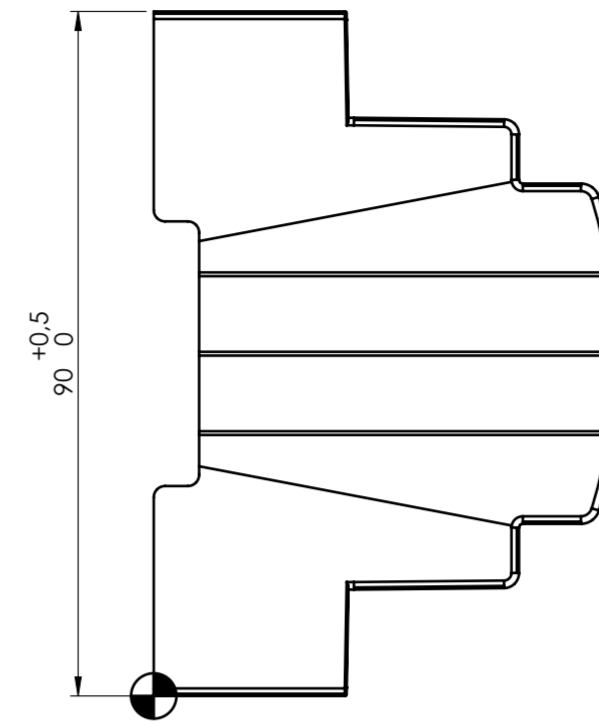
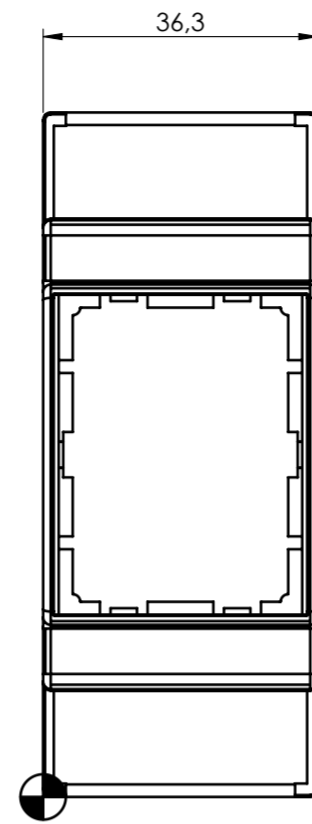


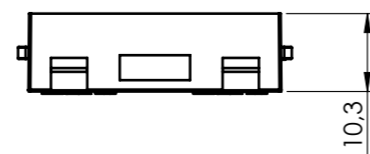
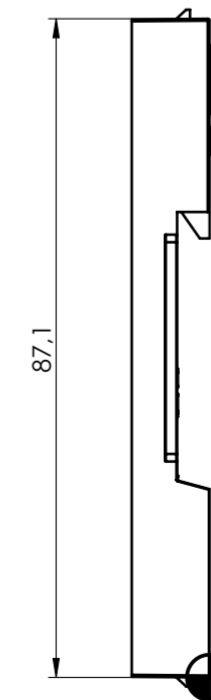
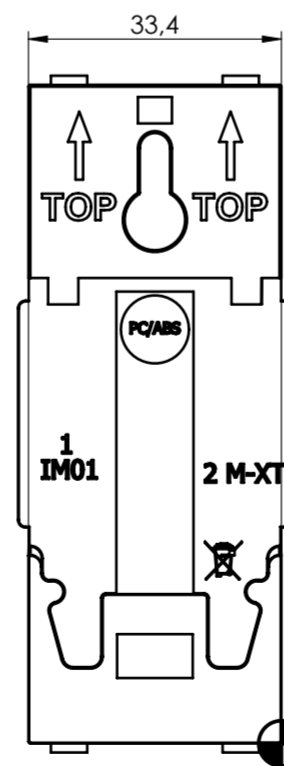
SECTION A-A



BODY ENCLOSURE

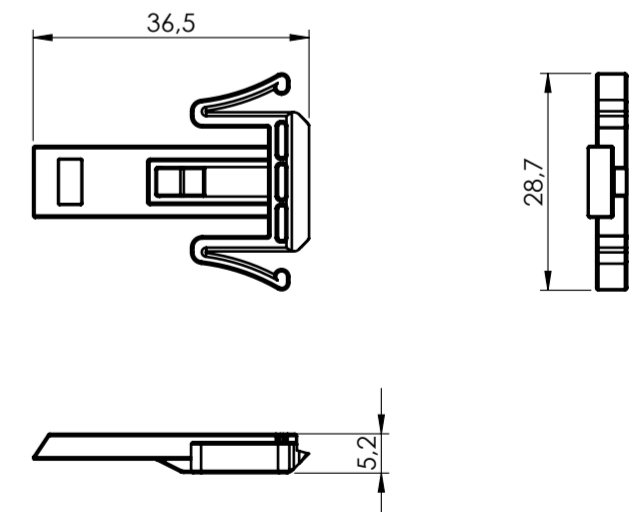


BASE



- General information:
- Workpiece zero point for mechanical processing
 - Minimum recommended radius for machining = R1.0 mm
 - Mounting rail like EN 60715: TH 35-7.5 or TH 35-15
 - Recommended PCB outline on www.italtronic.com

HOOK

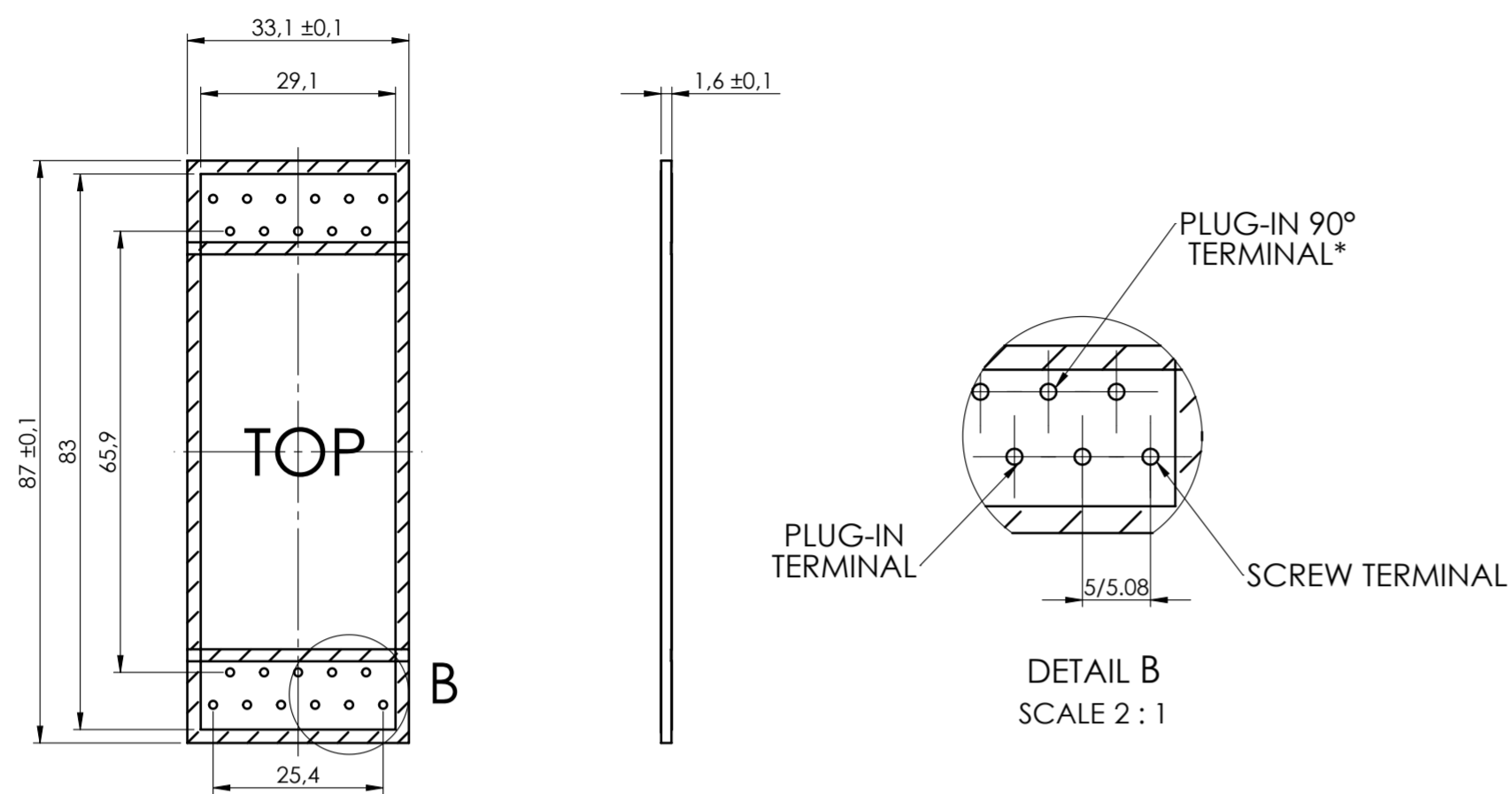


RIF.	Q.TY	DRAWING	DESCRIPTION
1	1	2_250_00139	BASE MODULBOX XT/XTS - 2M
2	1	2_250_00072	HOOK FOR MODULBOX XT-XTS
3	1	2_250_00044	BODY MODULBOX XTS 2M53-A

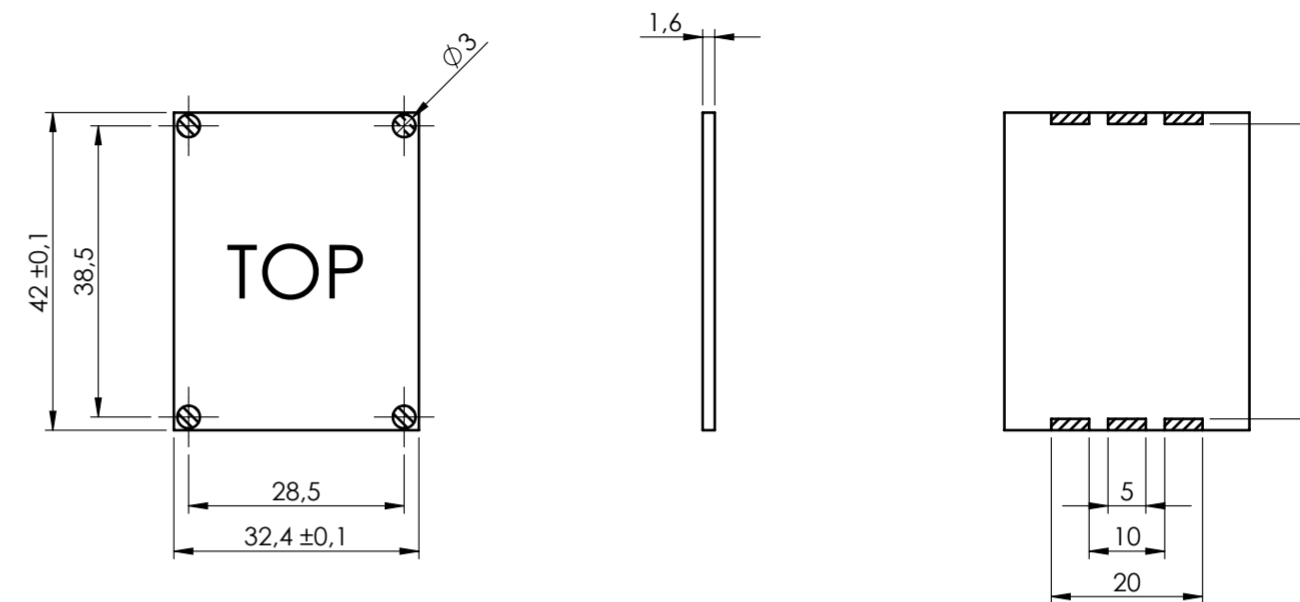
General Tolerance UNI EN 22768/1 Media (m)						Sheet:
from 0.5 to 3	from 3 to 6	from 6 to 30	from 30 to 120	from 120 to 400		1
± 0.1	± 0.1	± 0.2	± 0.3	± 0.5		
Scale:	IM:	Drawn:	Checked:	Date:	Material:	Process:
1:1	--	R.N.	R.N.	11/04/2023		
	The present drawing cannot be reproduced or communicated to third parties, even partially, without the authorization of ITALTRONIC. All dimensions reserves to protect its own rights according to the law.		Replaces the:	Derived from:	Weight:	Cod. Mold:
Dimension in mm			M-04055-01	--	gr	--
			Description:			
italtronic.com			KIT CONTENITORE MODULBOX XTS 2M53-A			
			KIT ENCLOSURE MODULBOX XTS 2M53-A			
			Drawing nr.:			Rev.:
			3_250_00029			01 A2

PCB A

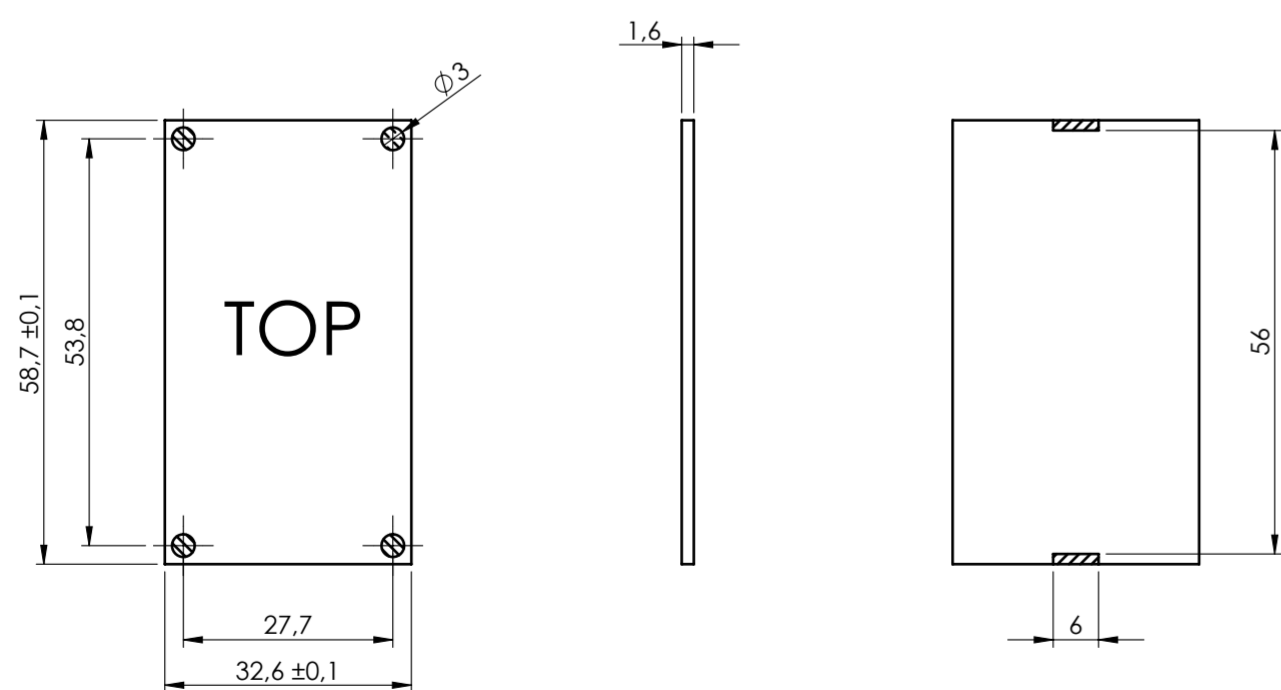
Max height of the terminal:
 Modulbox XT/XTS: 18.5 mm
 Modulbox ONE: 20 mm



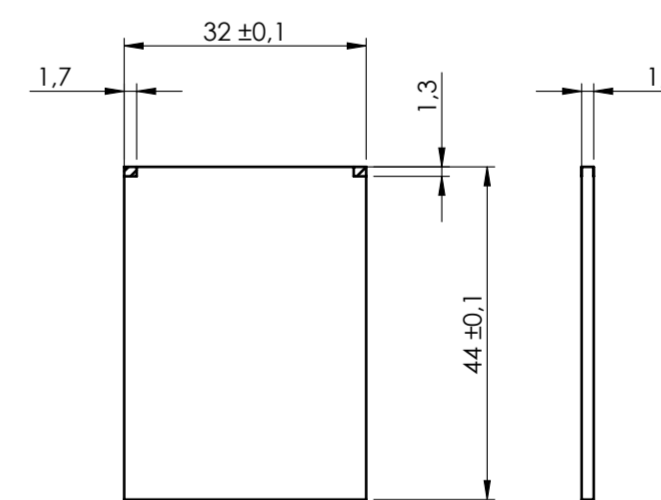
PCB C



PCB B



PCB V2



*To use the PLUG-IN terminals in Modulbox ONE use plug-in adapter P05000003E (5/5.08 pitch) and P05000004E (7.5/7.62 pitch)

NO COMPONENTS AREA

General Tolerance UNI EN 22768/1 Media (m)					Sheet:
from 0.5 to 3 ± 0.1	from 3 to 6 ± 0.1	from 6 to 30 ± 0.2	from 30 to 120 ± 0.3	from 120 to 400 ± 0.5	PCB
Scale:	IM:	Drawn:	Checked:	Date:	Material:
1:1	--	R.N.	R.N.	11/04/2023	Process:
Dimension in mm		Replaces the:		Weight:	Cod. Mold:
		M-04055-01		gr	--
Description: KIT CONTENITORE MODULBOX XTS 2MS3-A KIT ENCLOSURE MODULBOX XTS 2MS3-A Drawing nr.: 3_250_00029					Rev.: 01 A2