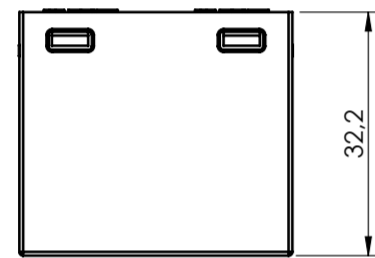
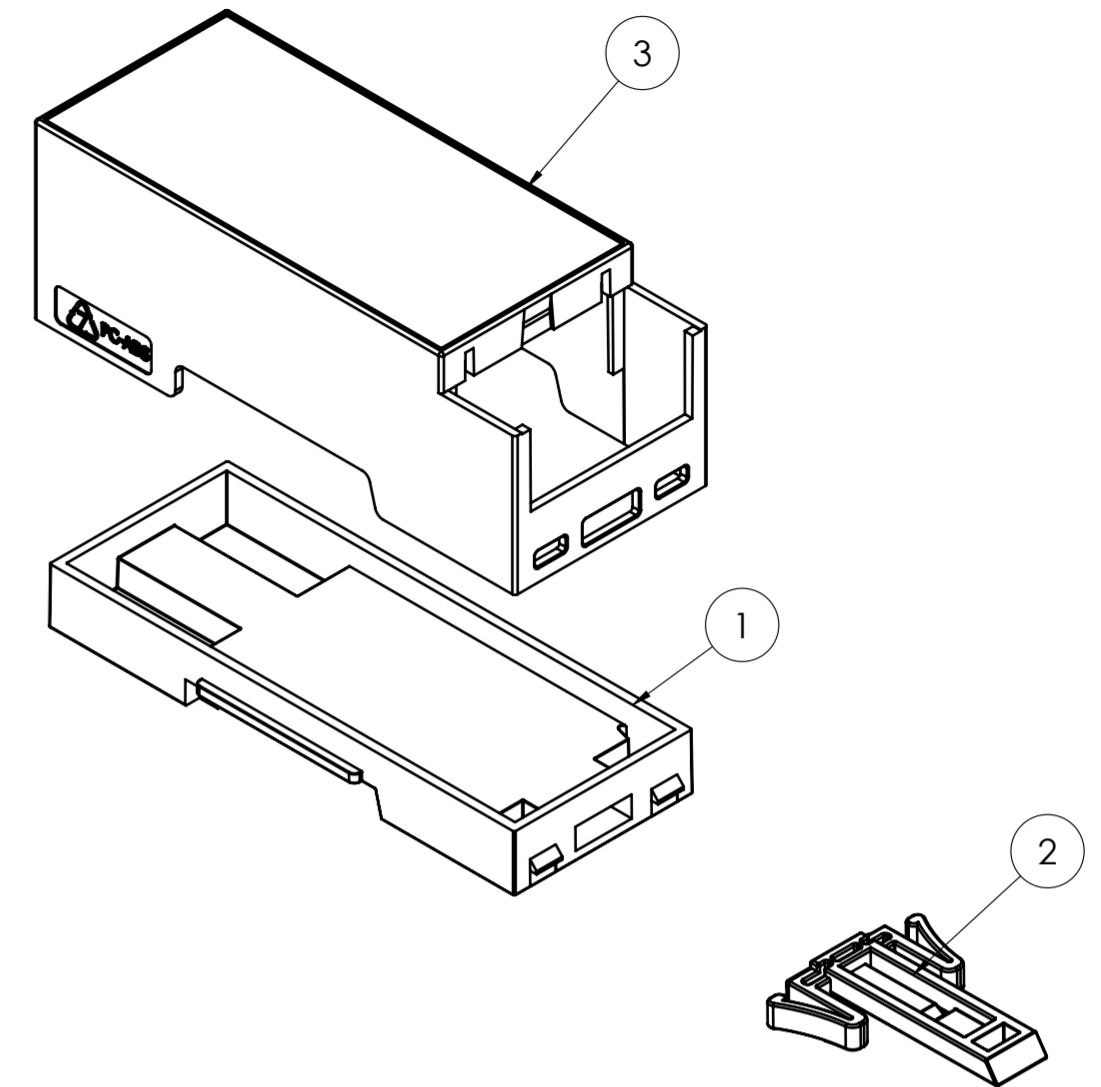
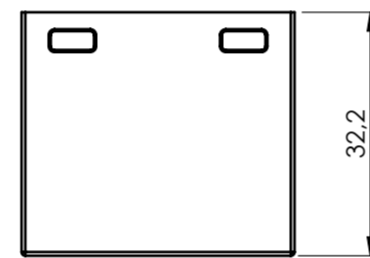
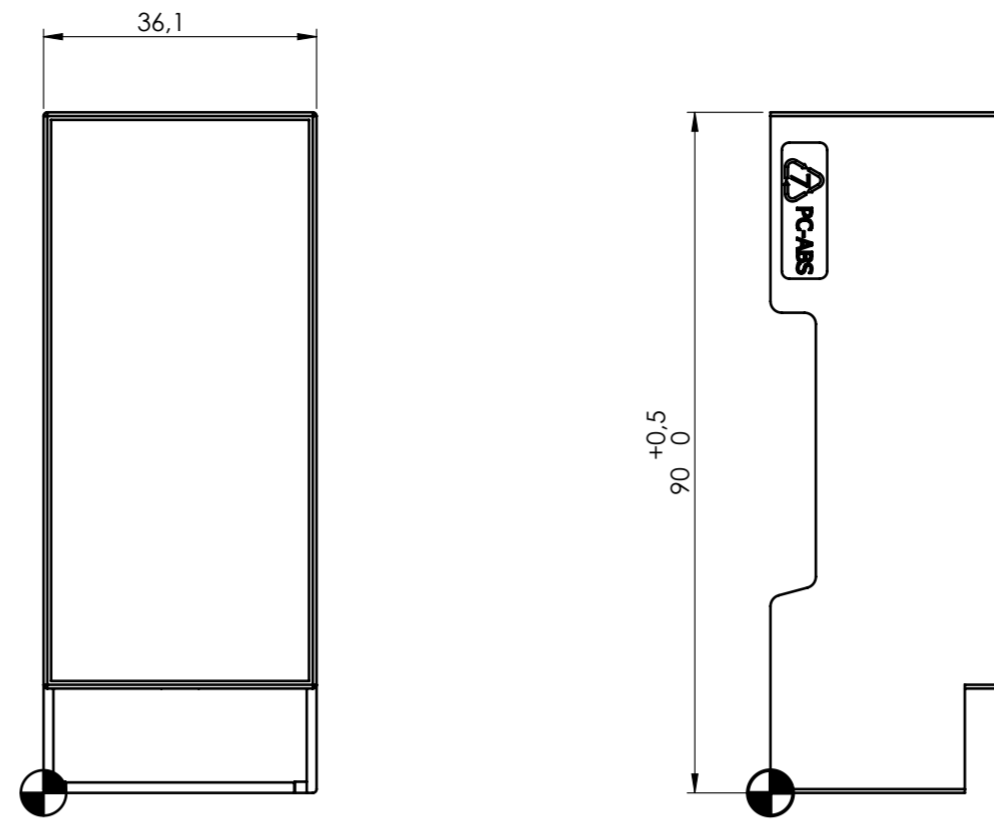


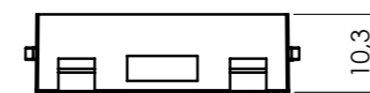
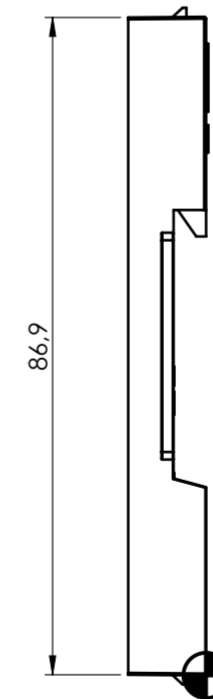
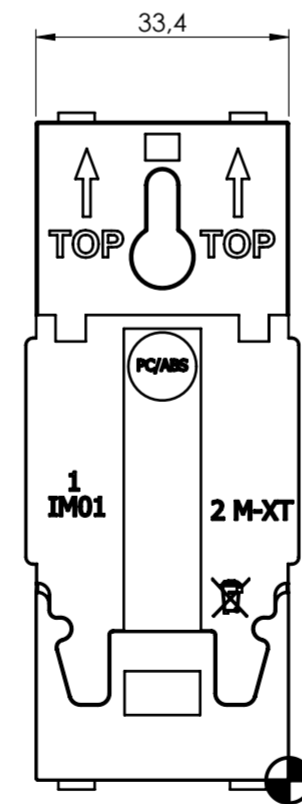
SECTION A-A



BODY ENCLOSURE

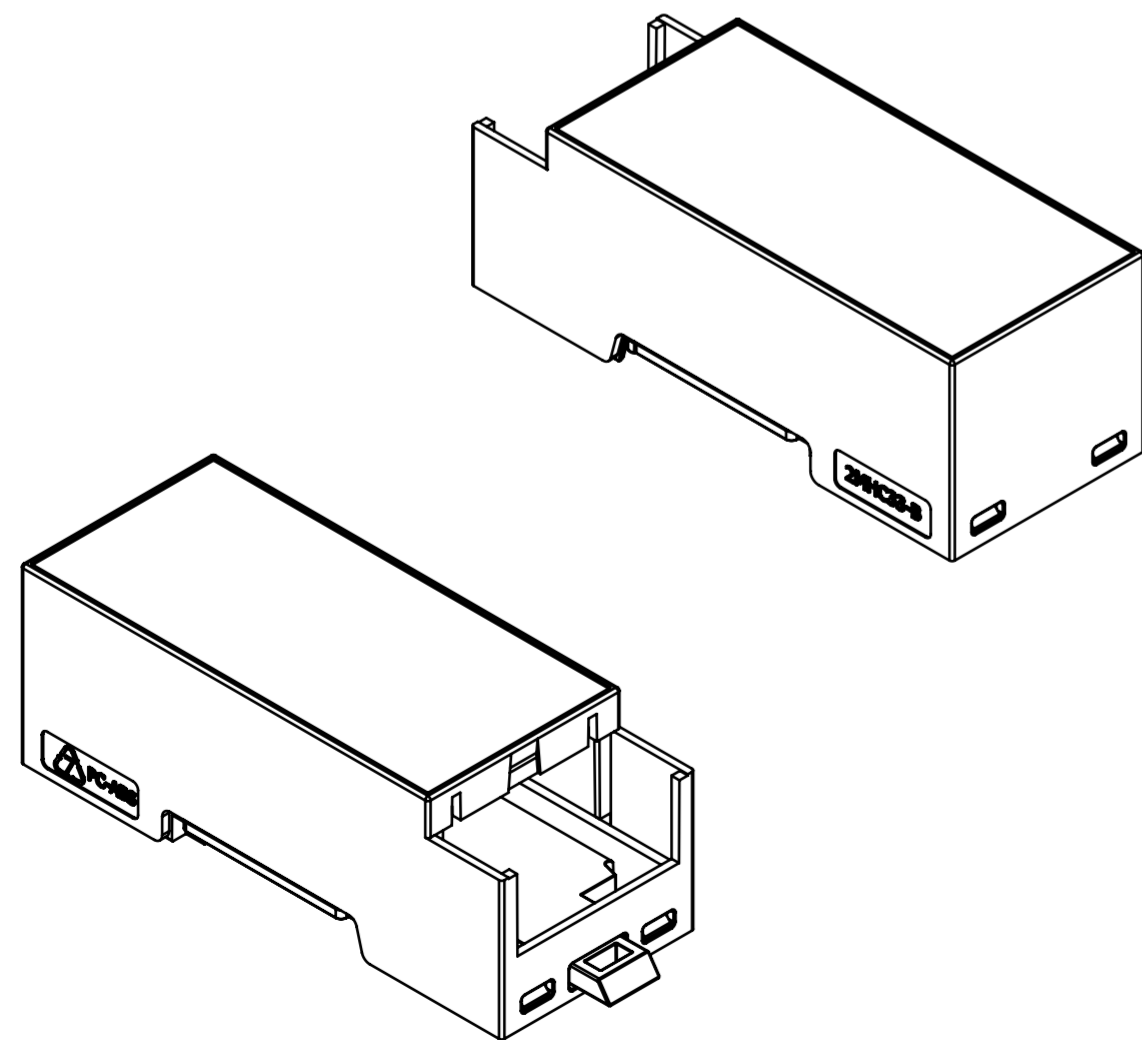
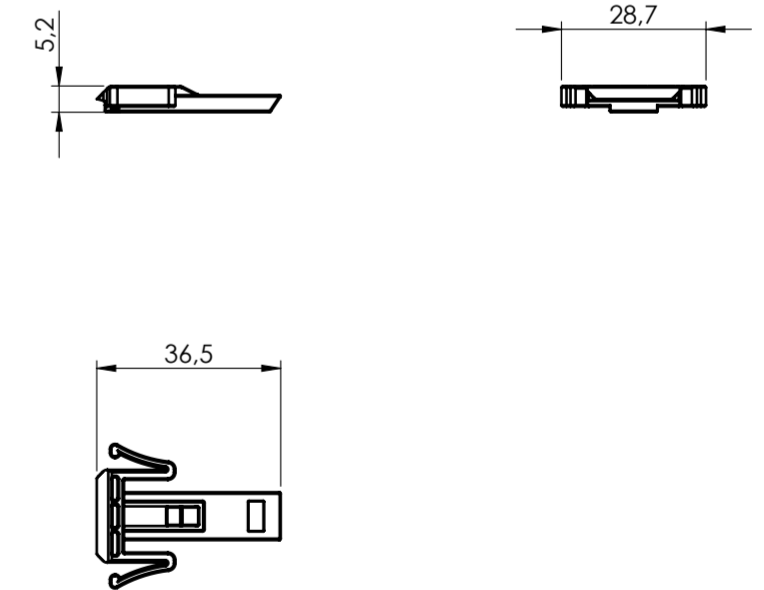


BASE



- General information:
- Workpiece zero point for mechanical processing
 - Minimum recommended radius for machining = R1.0 mm
 - Mounting rail like EN 60715: TH 35-7.5 or TH 35-15
 - Recommended PCB outline on www.italtronic.com
 - Medium thickness = 1.5 mm

HOOK



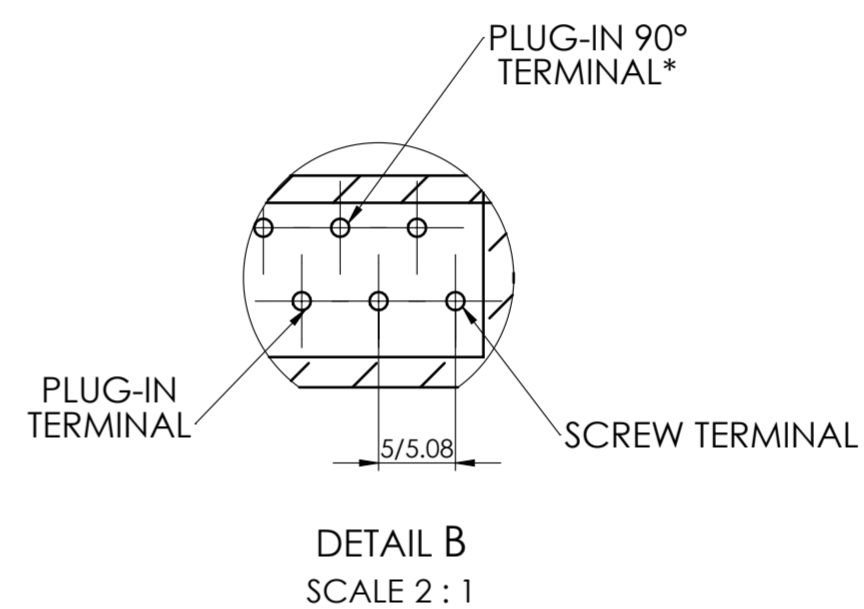
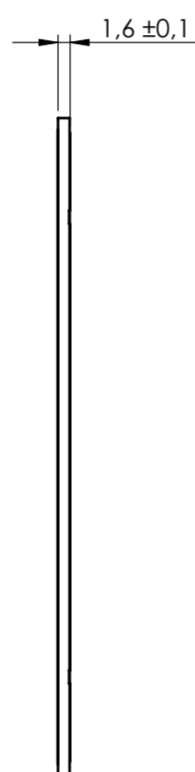
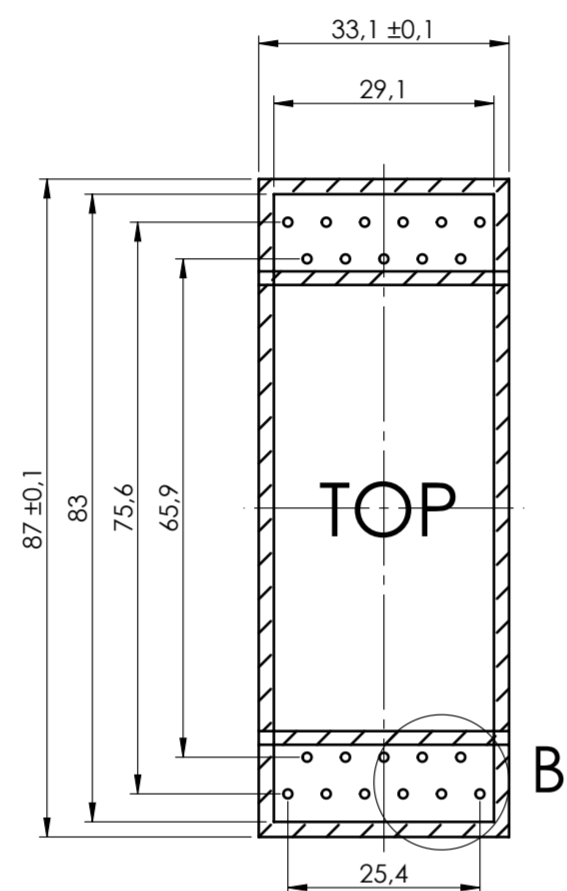
RIF.	Q.TY	DRAWING	DESCRIPTION
1	1	2_250_00139	BASE MODULBOX XT/XTS - 2M
2	1	2_250_00072	HOOK FOR MODULBOX XT-XTS
3	1	2_250_00002	BODY MODULBOX XTS 2MHC33-B CLOSED COMPACT

General Tolerance UNI EN 22768/1 Media (m)					Sheet:
from 0.5 to 3	from 3 to 6	from 6 to 30	from 30 to 120	from 120 to 400	1
± 0.1	± 0.1	± 0.2	± 0.3	± 0.5	
Scale:	IM:	Drawn:	Checked:	Date:	Material:
1:1	--	M.S.	R.N.	08/03/2024	
Dimension in mm		Replaces the:	Derived from:	Weight:	Cod. Mold:
		M-05168-00	--	gr	--

 enclosures for electronics		Description: KIT CONTENITORE MODULBOX XTS COMPACT 2MHC33-B KIT ENCLOSURE MODULBOX XTS COMPACT 2MHC33-B		Rev.:	00
italtronic.com		Drawing nr.: 3_250_00188			A2

PCB A

Max height of the terminal:
Modulbox XT/XTS: 18.5 mm



General Tolerance UNI EN 22768/1 Media (m)						Sheet:
from 0.5 to 3 ± 0.1	from 3 to 6 ± 0.1	from 6 to 30 ± 0.2	from 30 to 120 ± 0.3	from 120 to 400 ± 0.5		PCB
Scale:	IM:	Drawn:	Checked:	Date:	Material:	Process:
1:1	--	M.S.	R.N.	08/03/2024		
Dimension in mm		Replaces the:		Derived from:	Weight:	Cod. Mold:
		M-05168-00		--	gr	--
		Description:		KIT CONTENITORE MODULBOX XTS COMPACT 2MHC33-B		Rev.:
		KIT ENCLOSURE MODULBOX XTS COMPACT 2MHC33-B		Drawing nr.:		00 A2
		italtronic enclosures for electronics italtronic.com		3_250_00188		

NO COMPONENTS AREA