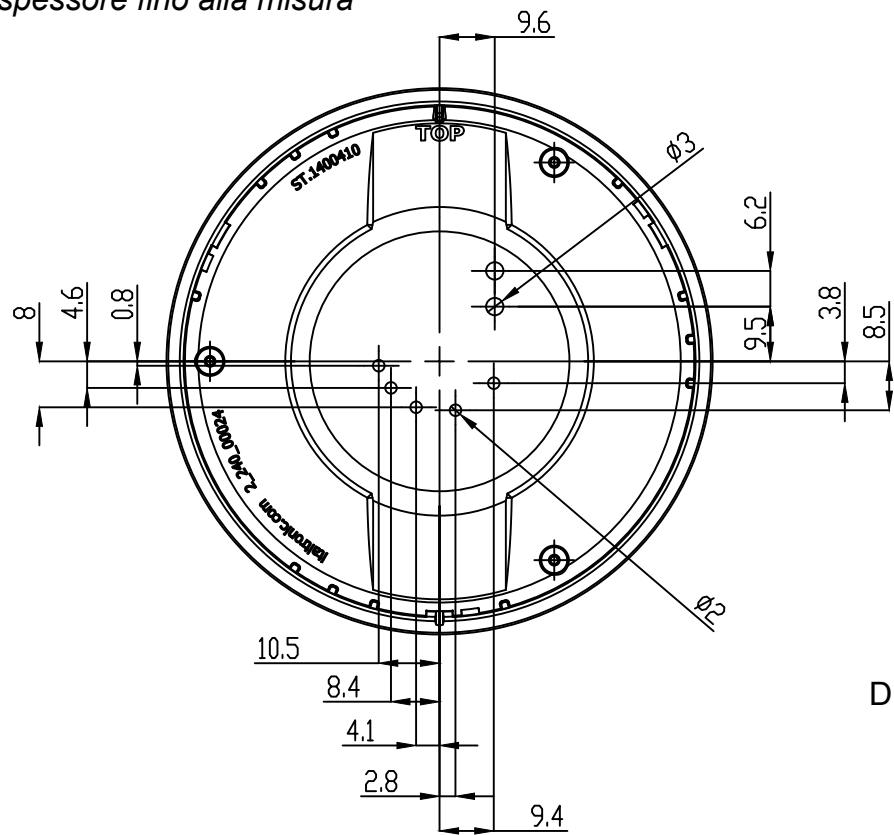
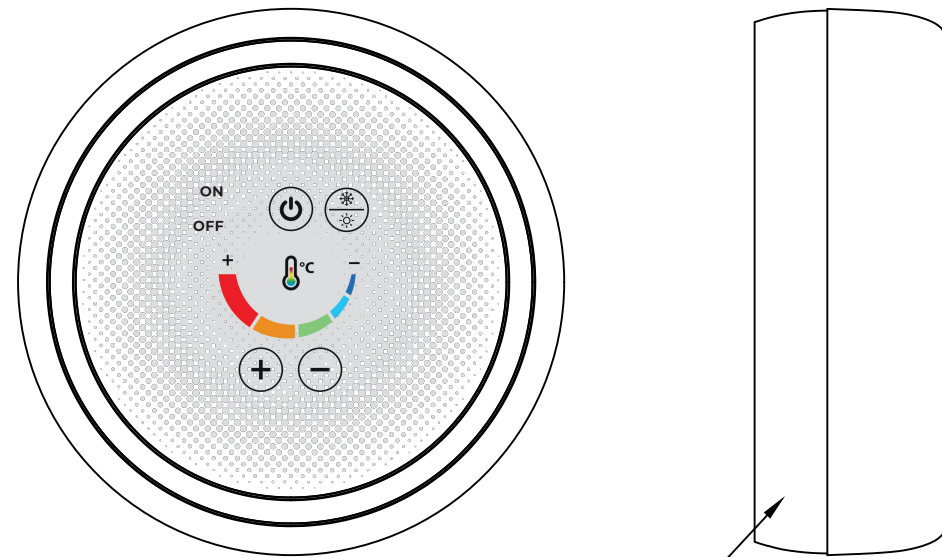


Cnc machining are on the internal side of enclosure. Reduce the thickness of surface until the measure of 0,5 mm \*.

Lavorazione meccanica sul lato interno.  
Riduzione dello spessore fino alla misura di 0,5 mm \*.



DIGITAL PRINT



DIGITAL PRINTING ON THE CIRCUMFERENCE



\* The machining of reducing the thickness of surface allows to see the light from LED that are welded on internal PCB without getting through the white enclosure.

\* La lavorazione di riduzione spessore permette la visualizzazione di LED saldati sul PCB interno senza dover forare il contenitore bianco.

From 0,5 to 3	Over 3 to 6	Over 6 to 30	Over 30 to 120	Over 120 to 400
± 0,1	± 0,1	± 0,2	± 0,3	± 0,5

<b>RESERVED PROPERTY</b> The present drawing cannot be reproduced or communicated to 3d parties, even partially, without the authorization of ITALTRONIC Srl. Italtronic reserves to protect its own rights according to the law.	 Dimension in mm	DRAWING BY  Manual modification are not allowed	GENERAL TOLERANCE UNI EN 22768/1 Media (m)
	Date: 19/10/2020	Replace nr.	5 4 3 2 1

Drawn: F.E.	Checked: Zorzato E.	Scale: 1 : 1	Revision description
-------------	---------------------	--------------	----------------------

 enclosures for electronics  italtronic.com	Denomination:
	EYEBOX simple - White version

Drawing nr.	Rev.
L_240_09155	00