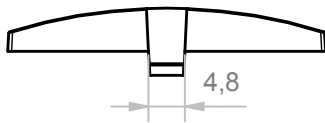
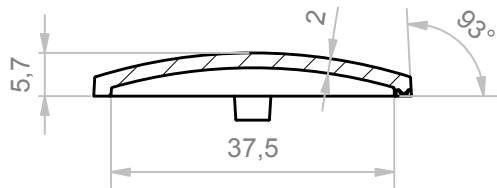
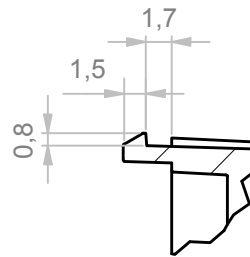


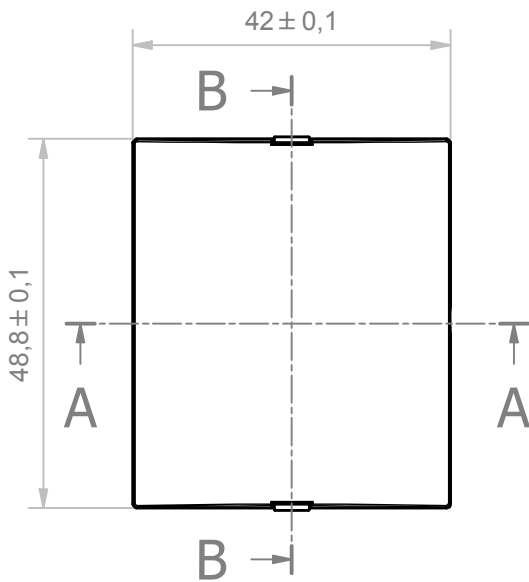
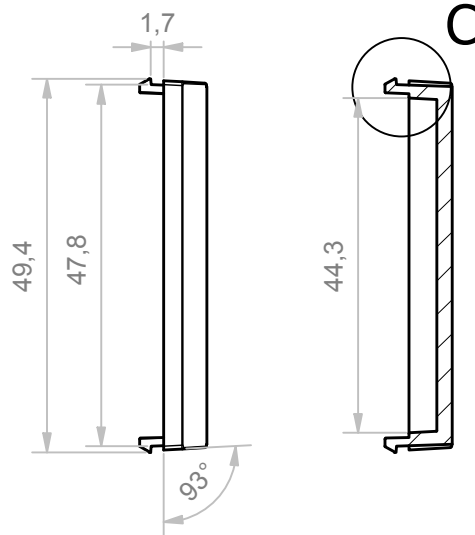
A-A (1:1)



C (2:1)



B-B (1:1)



General Tolerance UNI EN 22768/1 Media (m)				
from 0.5 to 3	from 3 to 6	from 6 to 30	from 30 to 120	from 120 to 400
± 0.1	± 0.1	± 0.2	± 0.3	± 0.5
Scale: 1 : 1	Sheet nr.: 1 / 1	Drawn: R.N.	Checked:	Date: 16/03/2020
Dimension in mm		Material: PC/ABS-PC	Weight: -	Revision description
<b>italtronic</b> enclosures for electronics italtronic.com		Description: PANNELLO CURVO MODULBOX 3M CURVED PANEL MODULBOX 3M	Cod. Mold: ST.0525000	
Drawing nr. 2_250_00095			Rev. 00	

RESERVED PROPERTY: The present drawing cannot be reproduced or communicated to 3rd parties, even partially, without the authorization of ITALTRONIC Srl. Italtronic reserves to protect its own rights according to the law.