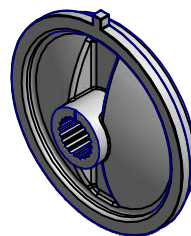
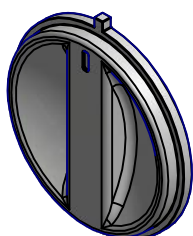
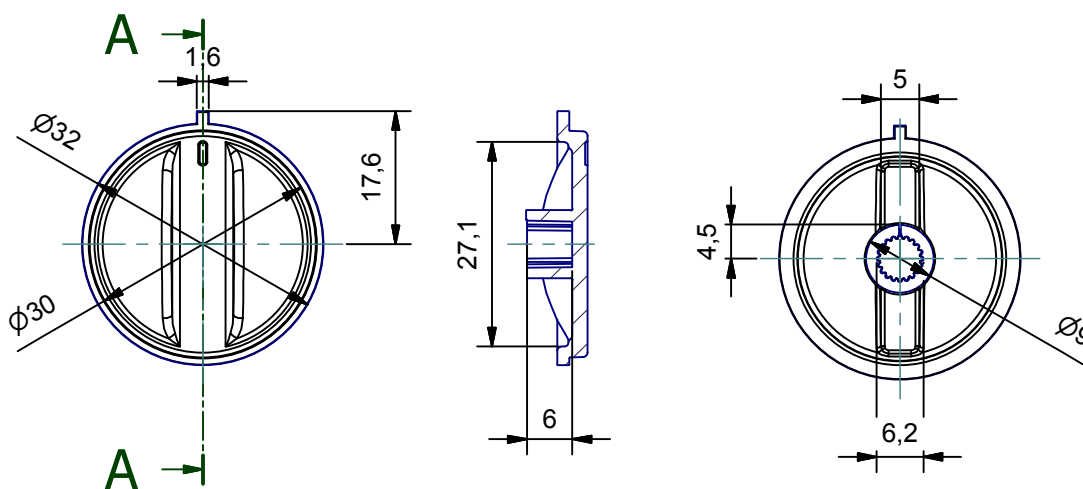


A-A (1:1)



Da 0,5 a 3	Oltre 3 fino a 6	Oltre 6 fino a 30	Oltre 30 fino a 120	Oltre 120
± 0,1	± 0,1	± 0,2	± 0,3	± 0,5

<b>RESERVED PROPERTY</b> The present drawing cannot be reproduced or communicated to 3d parties, even partially, without the authorization of ITALTRONIC Srl. Italtronic reserves to protect its own rights according to the law.	Dimension in mm	SHEET NR. 1 / 1	DRAWING BY  Manual modification are not allowed	GENERAL TOLERANCE <b>UNI EN 22768/1</b> <b>Media (m)</b>
	Date: 28/03/2013	Replace nr.	Scale:	Revision description

 UN PARTNER PER IL FUTURO   	Denomination: iTouch Manopola D.30 concava iTouch Handle D.30 concave	Drawing nr. <b>C-03584-00</b>
	 <b>ITALTRONIC S.R.L.</b> VIA AUSTRIA 25/D 35127 PADOVA - ITALY <a href="http://www.italtronic.com">www.italtronic.com</a>	

5 4 3 2 1